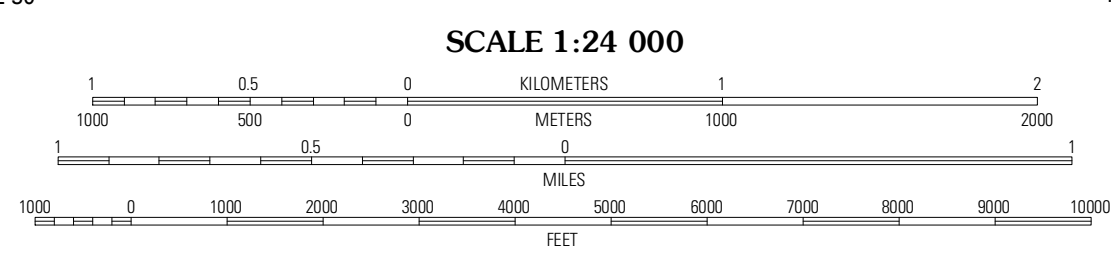
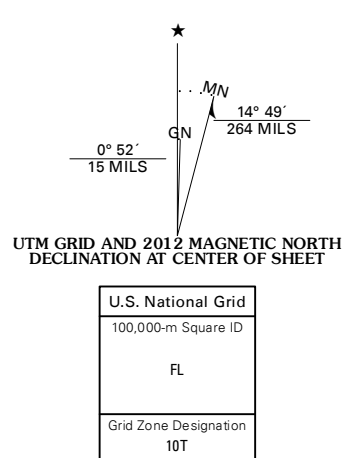


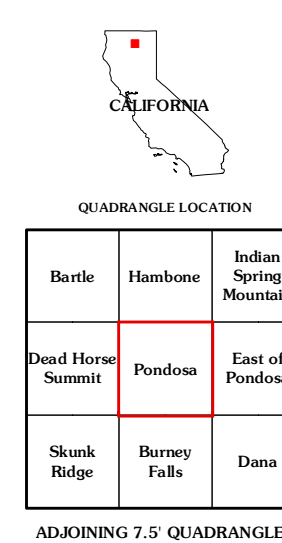
Produced by the United States Geological Survey  
North American Datum of 1983 (NAD83)  
World Geodetic System of 1984 (WGS84). Projection and  
1 000-meter grid: Universal Transverse Mercator, Zone 10T  
10 000-foot ticks: California Coordinate System of 1983  
(zone 1)

Imagery: NAIP, July 2010  
Roads: ©2006-2011 TomTom  
Roads within US Forest Service Lands:  
with limited Forest Service updates, 2009  
Names: GNS, 2011  
Hydrography: National Hydrography Dataset, 2010  
Contours: National Elevation Dataset, 1999  
Boundaries: Census, IBWC, IBC, USGS, 1972 - 2010



CONTOUR INTERVAL 20 FEET  
NORTH AMERICAN VERTICAL DATUM OF 1988

This map was produced to conform with the  
National Geospatial Program US Topo Product Standard, 2011.  
A metadata file associated with this product is draft version 0.6.1



**ROAD CLASSIFICATION**

Interstate Route  
US Route  
Ramp  
FS Primary Route

State Route  
Local Road  
4WD  
FS Passenger Route  
FS High Clearance Route

Check with local Forest Service unit for current travel conditions and restrictions.

**PONDOSA, CA**  
2012

ADJOINING 7.5' QUADRANGLES