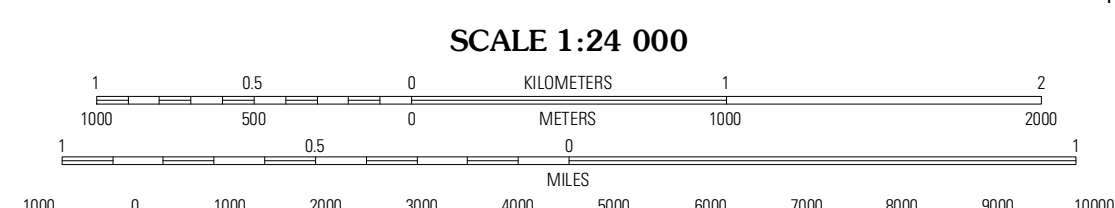
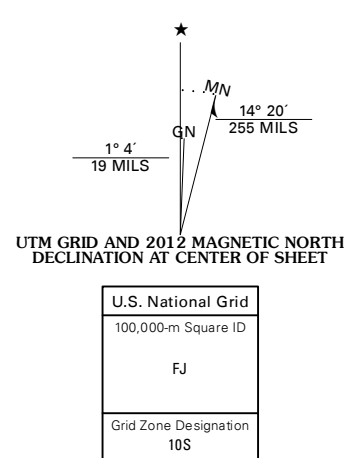


Produced by the United States Geological Survey
North American Datum of 1983 (NAD83)
World Geodetic System of 1984 (WGS84) Projection and
1 000-meter grid: Universal Transverse Mercator, Zone 10S
10 000-foot ticks: California Coordinate System of 1983
(zone 2)

Imagery: NADP, July 2010
Roads: ©2006-2011 TomTom
Roads within US Forest Service Lands with limited Forest Service updates, 2009
Names: GNIS, 2011
Hydrography: National Hydrography Dataset, 2010
Contours: National Elevation Dataset, 1999
Boundaries: Census, IBWC, IBC, USGS, 1972 - 2010



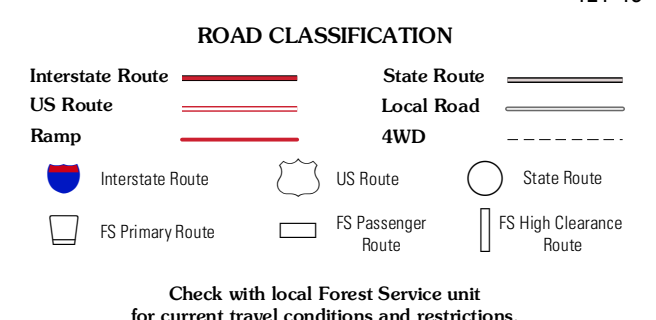
CONTOUR INTERVAL 20 FEET
NORTH AMERICAN VERTICAL DATUM OF 1988
This map was produced to conform with the
National Geospatial Program US Topo Product Standard, 2011.
A metadata file associated with this product is draft version 0.6.1



QUADRANGLE LOCATION

Oroville Dam	Forbestown	Clipper Mills
Bangor	Rackerby	Challenge
Loma Rica	Oregon House	French Corral

ADJOINING 7.5' QUADRANGLES



RACKERBY, CA
2012