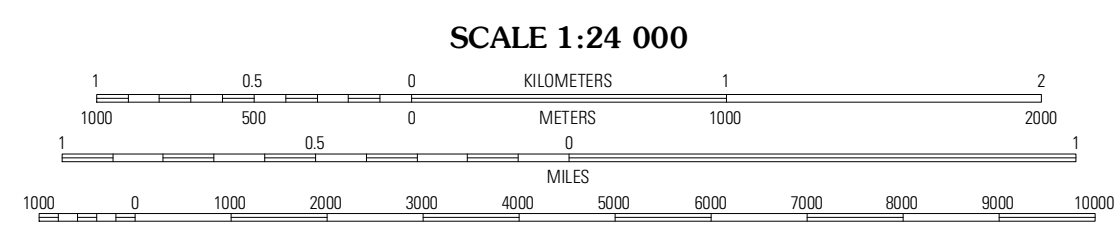
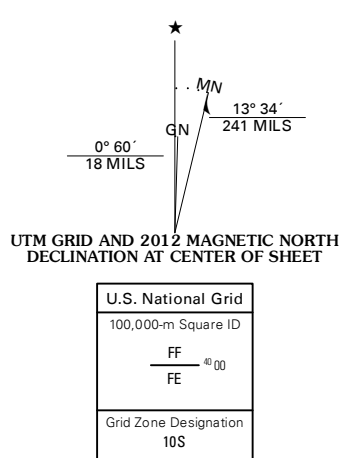


Produced by the United States Geological Survey
North American Datum of 1983 (NAD83)
World Geodetic System of 1984 (WGS84). Projection and
1 000-meter grid: Universal Transverse Mercator, Zone 10S
10 000-foot ticks: California Coordinate System of 1983
(zone 4)



CONTOUR INTERVAL 20 FEET
NORTH AMERICAN VERTICAL DATUM OF 1988

This map was produced to conform with the
National Geospatial Program US Topo Product Standard, 2011.
A metadata file associated with this product is draft version 0.6.1



Sycamore Flat	Paraiso Springs	Greenfield
Junipero Serra Peak	Reliz Canyon	Thompson Canyon
Cone Peak	Bear Canyon	Cosio Knob

ADJOINING 7.5 QUADRANGLES

ROAD CLASSIFICATION

Interstate Route	State Route
US Route	Local Road
Ramp	4WD
FS Primary Route	FS Passenger Route
	FS High Clearance Route

Check with local Forest Service unit
for current travel conditions and restrictions.

RELIZ CANYON, CA
2012