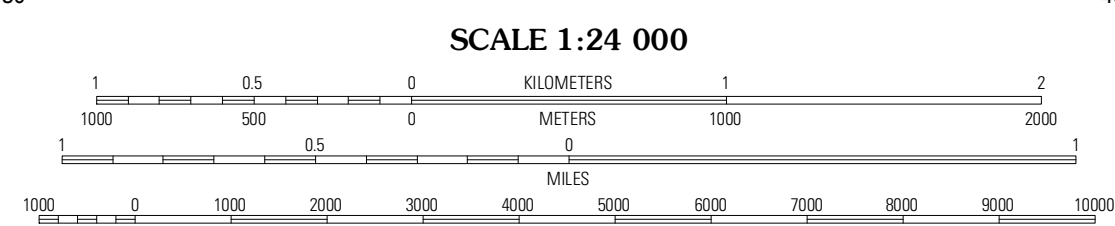
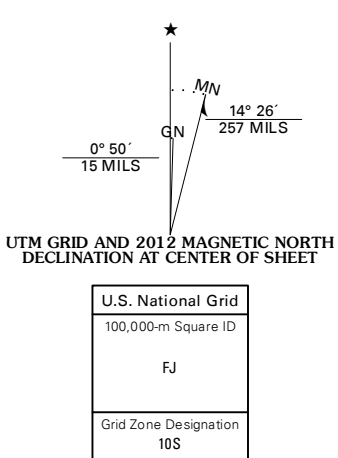


Produced by the United States Geological Survey
North American Datum of 1983 (NAD83)
World Geodetic System of 1984 (WGS84) Projection and
1 000-meter grid: Universal Transverse Mercator, Zone 10S
10 000-foot ticks: California Coordinate System of 1983
(zone 2)

Imagery: NAIIP, July 2010
Roads: ©2006-2011 TomTom
Names: GNS, 2011
Hydrography: National Hydrography Dataset, 2010
Contours: National Elevation Dataset, 2003
Boundaries: Census, IBWC, IBC, USGS, 1972 - 2010



CONTOUR INTERVAL 10 FEET
NORTH AMERICAN VERTICAL DATUM OF 1988

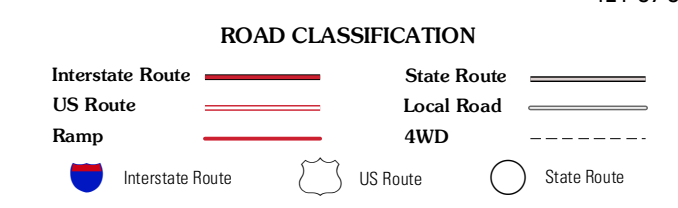
This map was produced to conform with the National Geospatial Program US Topo Product Standard, 2011. A metadata file associated with this product is draft version 0.6.1



QUADRANGLE LOCATION

Chico	Hamlin Canyon	Cherokee
Nelson	Shippee	Oroville
West of Biggs	Biggs	Palermo

ADJOINING 7.5' QUADRANGLES



SHIPPEE, CA
2012