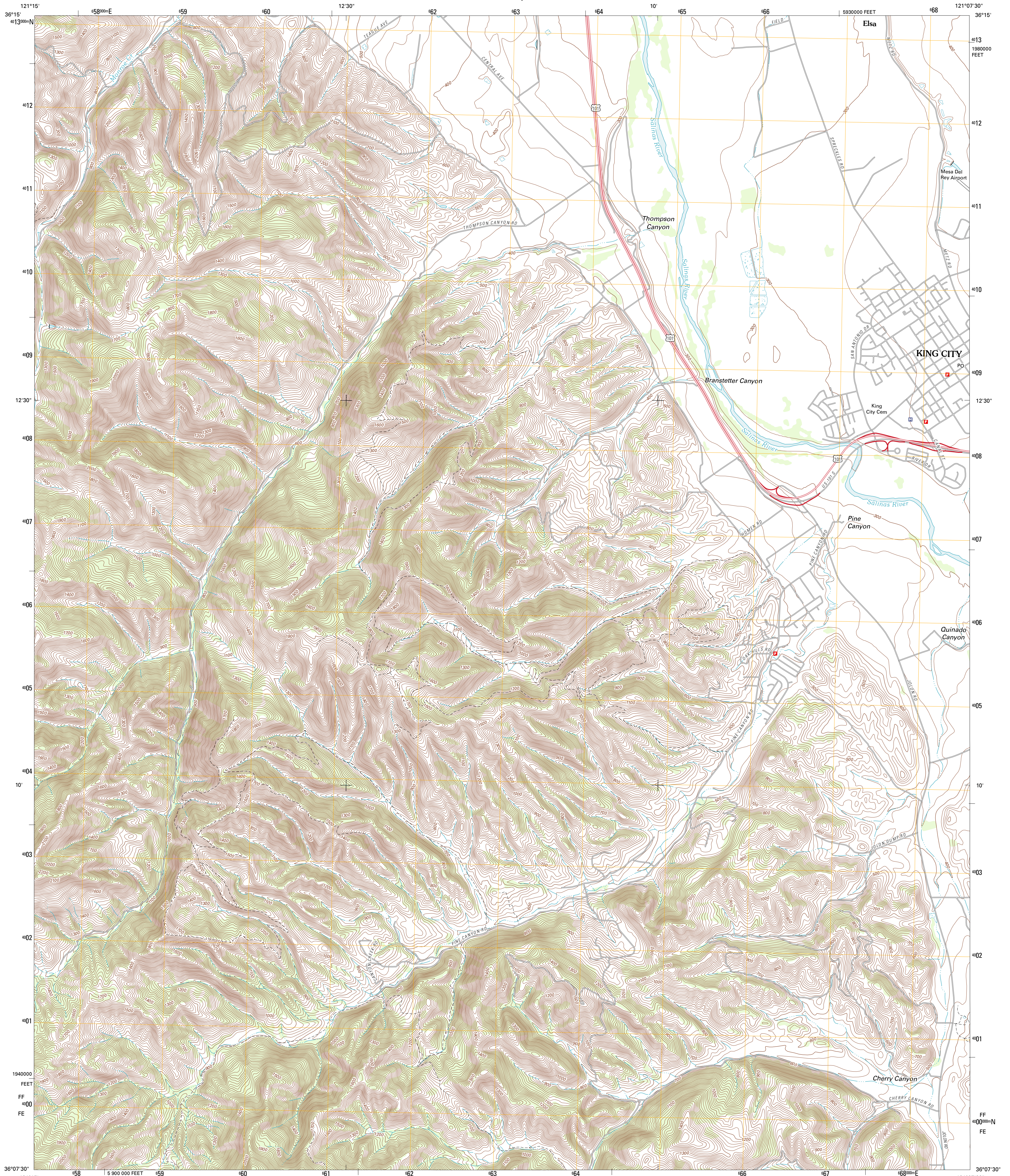




U.S. DEPARTMENT OF THE INTERIOR  
U. S. GEOLOGICAL SURVEY

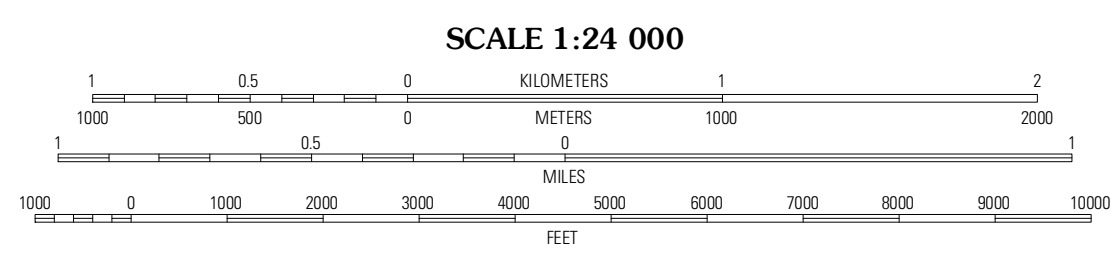
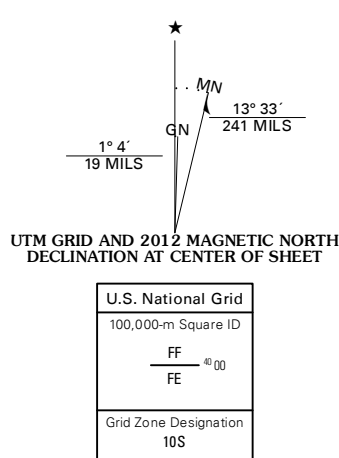


THOMPSON CANYON QUADRANGLE  
CALIFORNIA-MONTEREY CO.  
7.5-MINUTE SERIES



Produced by the United States Geological Survey  
North American Datum of 1983 (NAD83)  
World Geodetic System of 1984 (WGS84). Projection and  
1 000-meter grid: Universal Transverse Mercator, Zone 10S  
10 000-foot ticks: California Coordinate System of 1983  
(zone 4)

Imagery.....NAP, July 2010  
Roads.....©2006-2011 TomTom  
Names.....GNIS, 2011  
Hydrography.....National Hydrography Dataset, 2010  
Contours.....National Elevation Dataset, 2005  
Boundaries.....Census, IBWC, IBC, USGS, 1972 - 2010

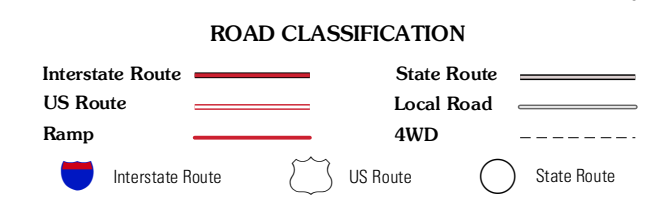


SCALE 1:24 000  
CONTOUR INTERVAL 20 FEET  
NORTH AMERICAN VERTICAL DATUM OF 1988  
This map was produced to conform with the  
National Geospatial Program US Topo Product Standard, 2011.  
A metadata file associated with this product is draft version 0.6.1



QUADRANGLE LOCATION

|                |                 |                 |
|----------------|-----------------|-----------------|
| Paraso Springs | Greenfield      | Pinalto Canyon  |
| Rellz Canyon   | Thompson Canyon | San Lucas       |
| Bear Canyon    | Cosio Knob      | Espinosa Canyon |



THOMPSON CANYON, CA  
2012

ADJOINING 7.5' QUADRANGLES