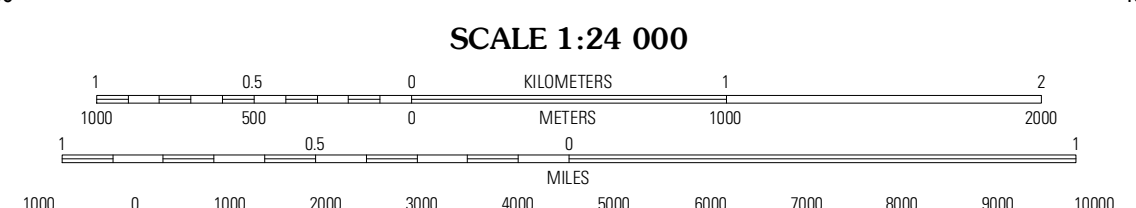
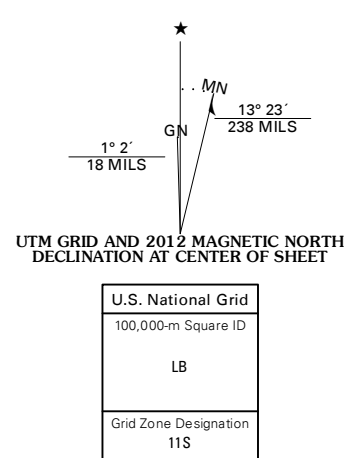


Produced by the United States Geological Survey  
North American Datum of 1983 (NAD83)  
Roads..... ©2006-2011 TomTom  
World Geodetic System of 1984 (WGS84). Projection and  
1 000-meter grid: Universal Transverse Mercator, Zone 11S  
10 000-foot ticks: California Coordinate System of 1983  
(zone 3)

Imagery.....NAIP, July 2010 - September 2010  
Roads.....©2006-2011 TomTom  
Roads within US Forest Service Lands.....FSTopo Data  
with limited Forest Service updates, 2009  
Names.....©2011  
Hydrography.....National Hydrography Dataset, 2010  
Contours.....National Elevation Dataset, 1999  
Boundaries.....Census, BWC, IBC, USGS, 1972 - 2010

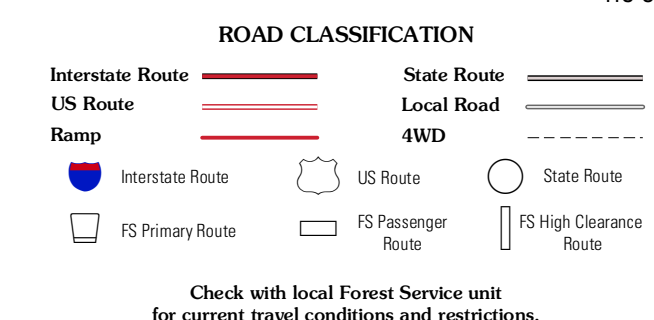


CONTOUR INTERVAL 80 FEET  
NORTH AMERICAN VERTICAL DATUM OF 1988  
This map was produced to conform with the  
National Geospatial Program US Topo Product Standard, 2011.  
A metadata file associated with this product is draft version 0.6.1



QUADRANGLE LOCATION

Whitmore Hot Springs	Waterson Canyon	Banner Ridge
Conick Lake	Toms Place	Casa Diablo Mountain
Mount Abbot	Mount Morgan	Rovana



**TOMS PLACE, CA**  
2012

ADJOINING 7.5 QUADRANGLES