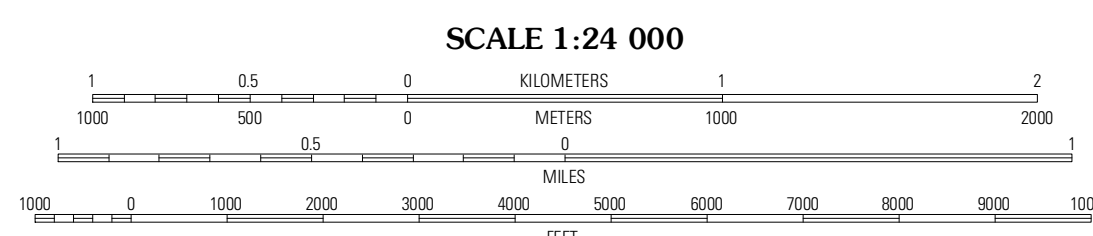
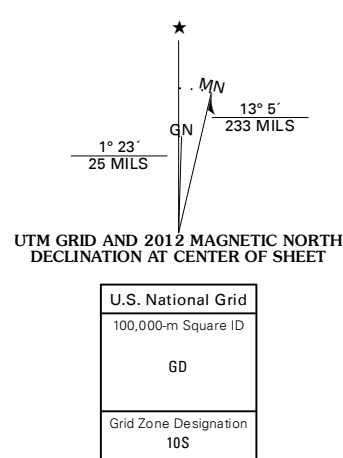




Produced by the United States Geological Survey  
North American Datum of 1983 (NAD83)  
World Geodetic System of 1984 (WGS84). Projection and  
1 000-meter grid: Universal Transverse Mercator, Zone 10S  
10 000-foot ticks: California Coordinate System of 1983  
(zone 5)

Imagery.....N.A.P. August 2010 - September 2010  
Roads.....©2006-2011 TomTom  
Names.....GNIS, 2011  
Hydrography.....National Hydrography Dataset, 2010  
Contours.....National Elevation Dataset, 1999  
Boundaries.....Census, BWC, IBC, USGS, 1972 - 2010



CONTOUR INTERVAL 40 FEET  
NORTH AMERICAN VERTICAL DATUM OF 1988

This map was produced to conform with the  
National Geospatial Program US Topo Product Standard, 2011.  
A metadata file associated with this product is draft version 0.6.1



QUADRANGLE LOCATION

|                   |                         |                     |
|-------------------|-------------------------|---------------------|
| Surf<br>OE W      | Surf                    | Lompoc              |
| Point<br>Anguillo | Tranquillon<br>Mountain | Lompoc<br>Hills     |
|                   |                         | Point<br>Conception |

ADJOINING 7.5' QUADRANGLES

ROAD CLASSIFICATION

|                  |             |
|------------------|-------------|
| Interstate Route | State Route |
| US Route         | Local Road  |
| Ramp             | 4WD         |

TRANQUILLON MOUNTAIN, CA  
2012