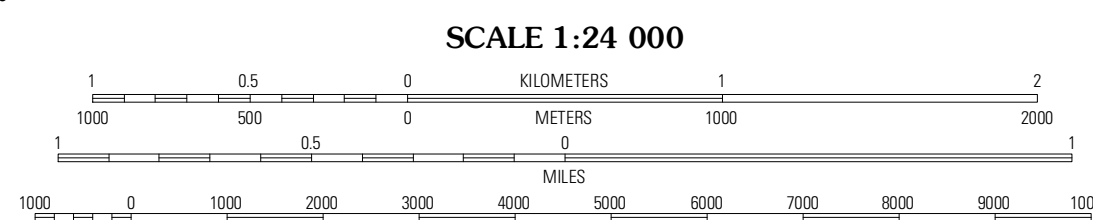
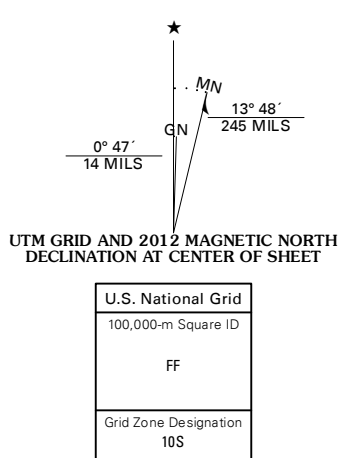


Produced by the United States Geological Survey  
North American Datum of 1983 (NAD83)  
World Geodetic System of 1984 (WGS84) Projection and  
1 000-meter grid: Universal Transverse Mercator, Zone 10S  
10 000-foot ticks: California Coordinate System of 1983  
(zones 3 and 4)

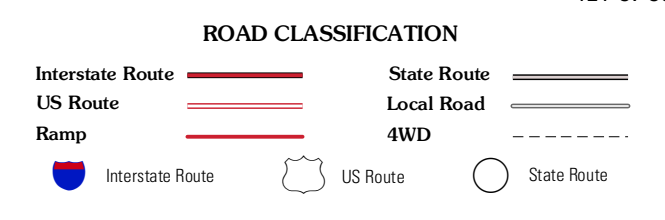


CONTOUR INTERVAL 20 FEET  
NORTH AMERICAN VERTICAL DATUM OF 1988

This map was produced to conform with the  
National Geospatial Program US Topo Product Standard, 2011.  
A metadata file associated with this product is draft version 0.6.1



Loma Prieta	Mount Madonna	Gilroy
Watsonville West	Watsonville East	Chittenden
Moss Landing	Prunedale	San Juan Bautista



WATSONVILLE EAST, CA  
2012

ADJOINING 7.5' QUADRANGLES