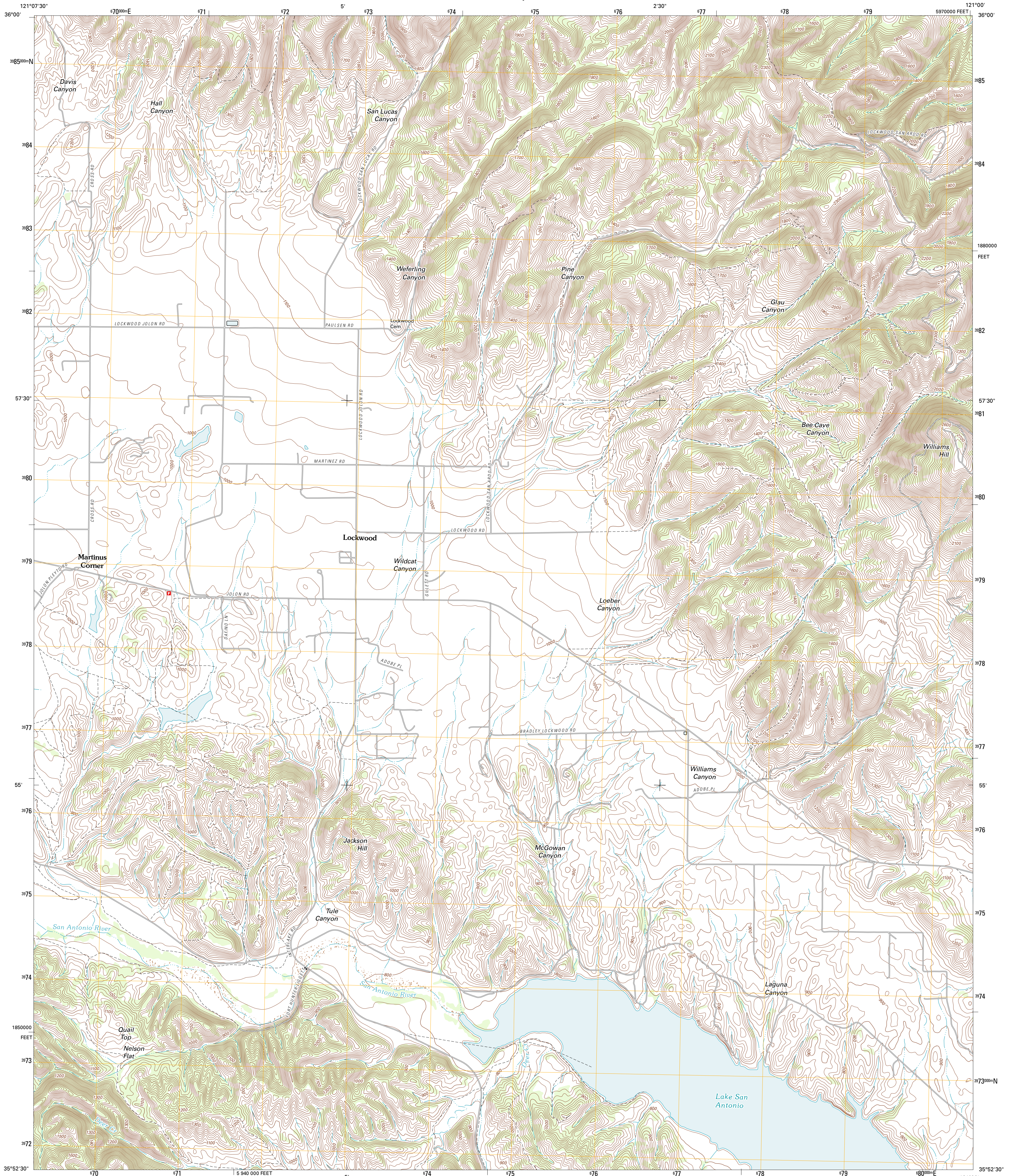




U.S. DEPARTMENT OF THE INTERIOR
U. S. GEOLOGICAL SURVEY

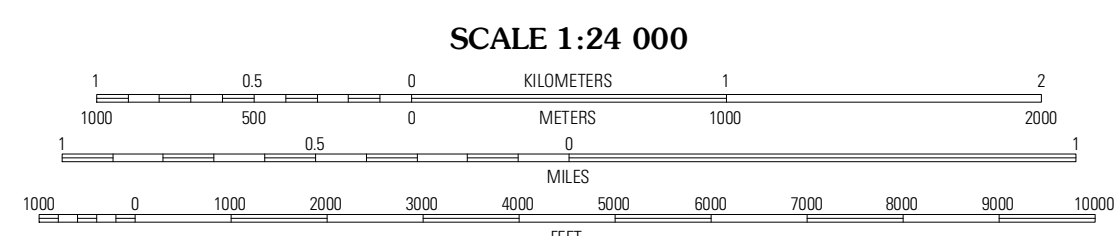
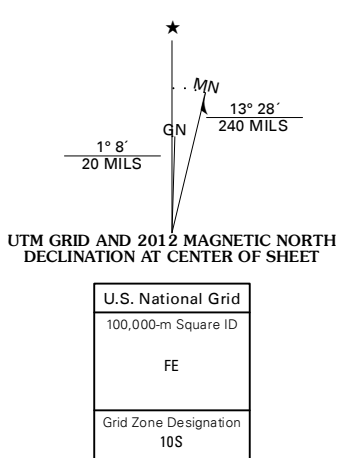


WILLIAMS HILL QUADRANGLE
CALIFORNIA-MONTEREY CO.
7.5-MINUTE SERIES



Produced by the United States Geological Survey
North American Datum of 1983 (NAD83)
World Geodetic System of 1984 (WGS84). Projection and
1 000-meter grid: Universal Transverse Mercator, Zone 10S
10 000-foot ticks: California Coordinate System of 1983
(zone 4)

Imagery.....NAIP, July 2010
Roads.....©2006-2011 TomTom
Names.....GNIS, 2011
Hydrography.....National Hydrography Dataset, 2010
Contours.....National Elevation Dataset, 2005
Boundaries.....Census, BWC, IBC, USGS, 1972 - 2010



CONTOUR INTERVAL 20 FEET
NORTH AMERICAN VERTICAL DATUM OF 1988

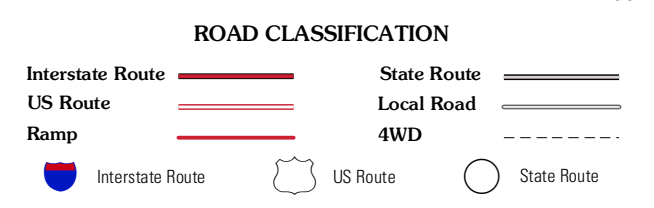
This map was produced to conform with the
National Geospatial Program US Topo Product Standard, 2011.
A metadata file associated with this product is draft version 0.6.1



QUADRANGLE LOCATION

Costo Knob	Epifania Canyon	San Ando
Jolon	Williams Hill	Hames Valley
Burnett Peak	Byson	Terra Redonda Mountain

ADJOINING 7.5' QUADRANGLES



WILLIAMS HILL, CA
2012