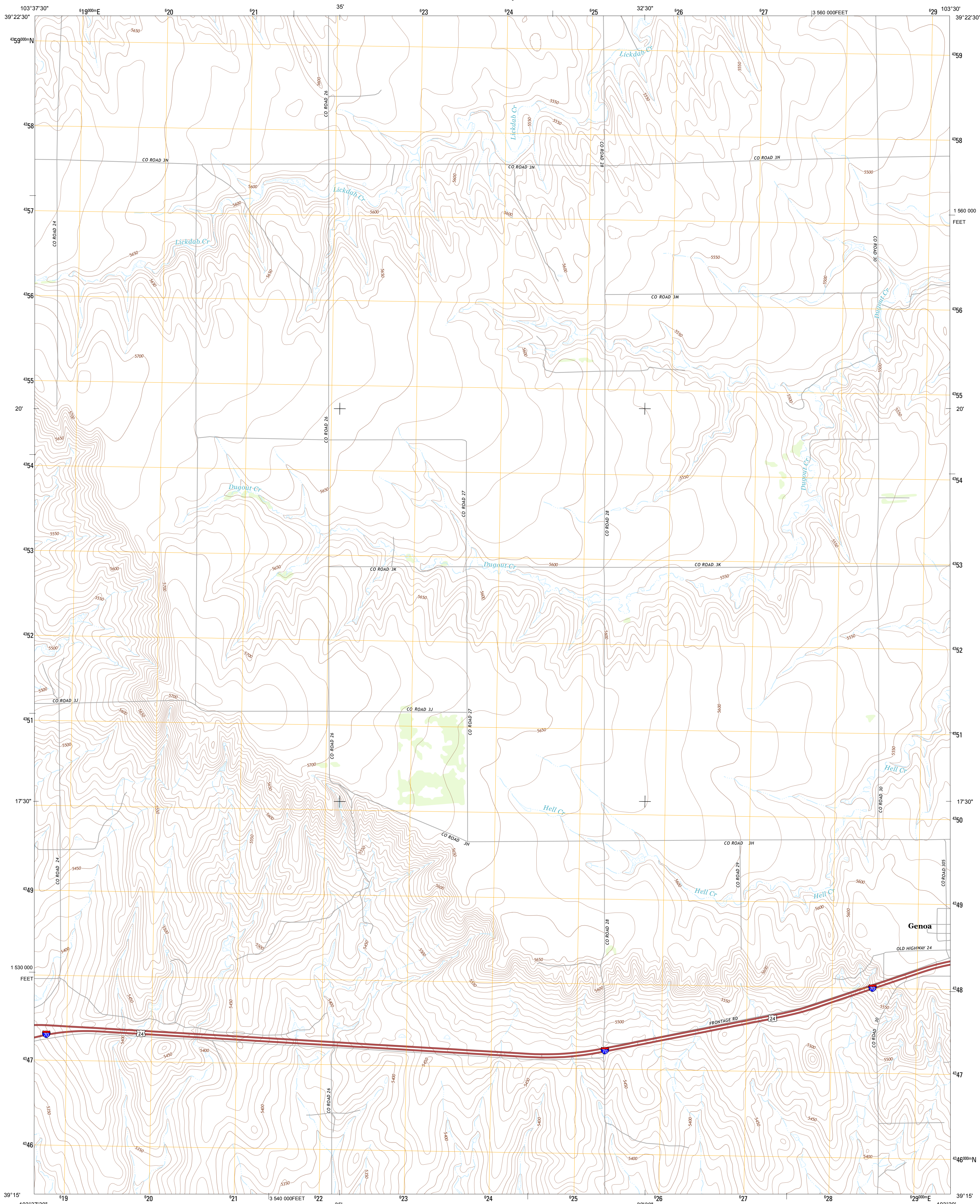




U.S. DEPARTMENT OF THE INTERIOR  
U. S. GEOLOGICAL SURVEY

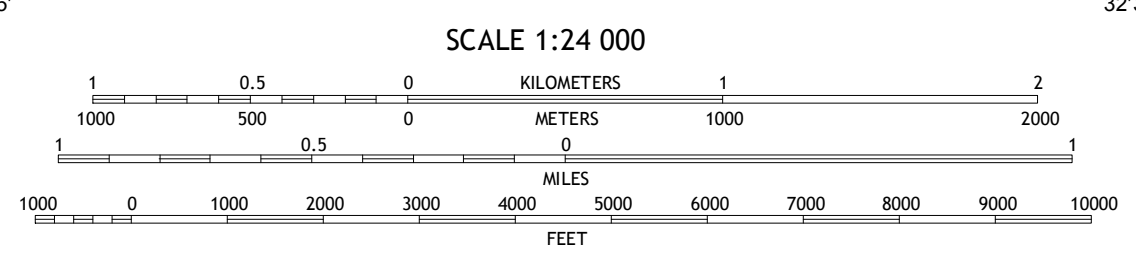
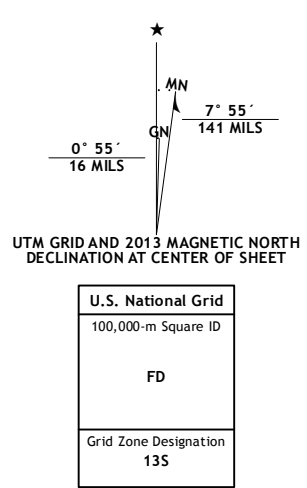


GENOA WEST QUADRANGLE  
COLORADO-LINCOLN CO.  
7.5-MINUTE SERIES

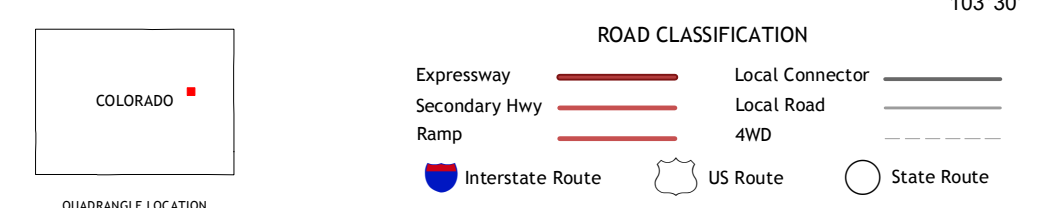


Produced by the United States Geological Survey  
North American Datum of 1983 (NAD83)  
World Geodetic System of 1984 (WGS84) Projection and  
1 000-meter grid; Universal Transverse Mercator, Zone 13S  
10 000-foot ticks; Colorado Coordinate System of 1983 (central zone)

Imagery.....NAIP, July 2011  
Roads.....©2006-2012 TomTom  
Names.....©2013  
Hydrography.....National Hydrography Dataset, 2011  
Contours.....National Elevation Dataset, 2007  
Boundaries.....Census, BWC, B.C., 1952, 1972-2012  
Public Land Survey System.....BLM, 2011



CONTOUR INTERVAL 10 FEET  
NORTH AMERICAN VERTICAL DATUM OF 1988  
This map was produced to conform with the  
National Geospatial Program US Topo Product Standard, 2011.  
A metadata file associated with this product is draft version 0.6.14



QUADRANGLE LOCATION

T Draw	Walks Camp Park	Arriba NW
Limon	Genoa West	Genoa East
Lake	Barron Creek	Hugo

GENOA WEST, CO  
2013

ADJOINING 7.5 QUADRANGLES