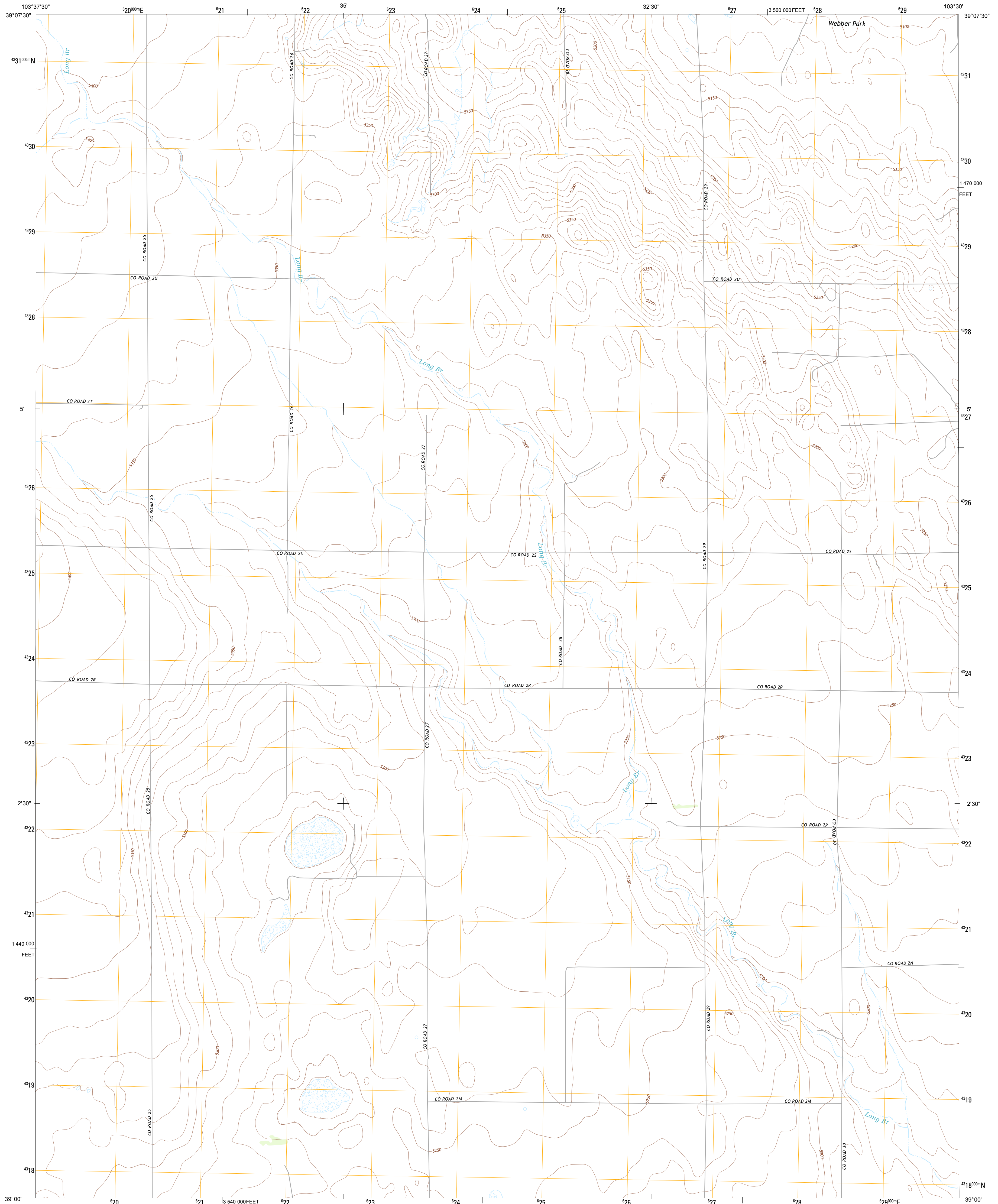




U.S. DEPARTMENT OF THE INTERIOR
U. S. GEOLOGICAL SURVEY

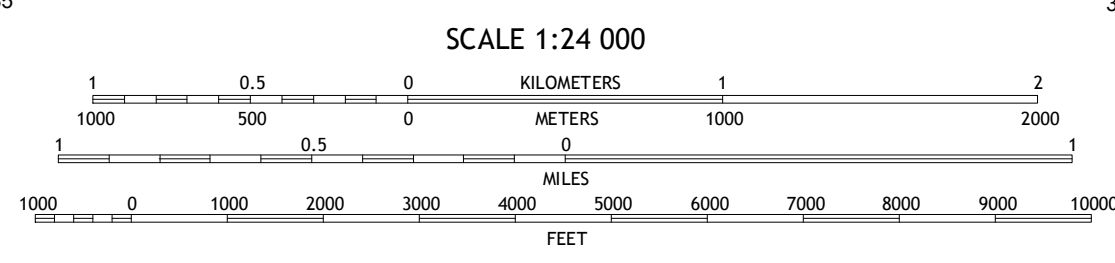
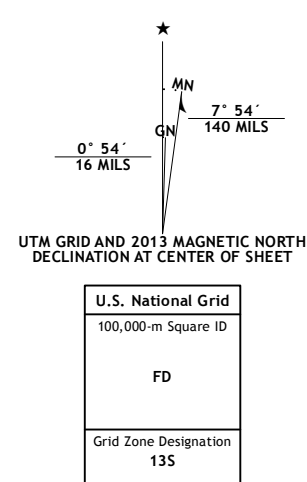


LAKE SE QUADRANGLE
COLORADO-LINCOLN CO.
7.5-MINUTE SERIES

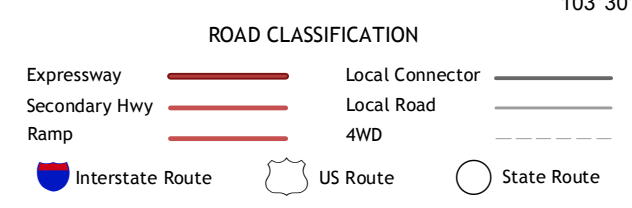
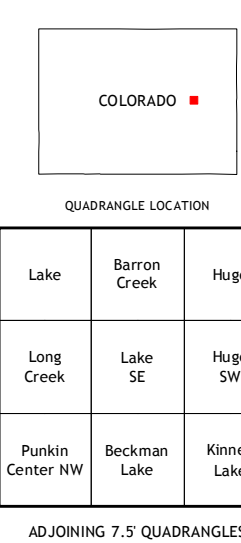


Produced by the United States Geological Survey
North American Datum of 1983 (NAD83)
World Geodetic System of 1984 (WGS84) Projection and
1 000-meter grid: Universal Transverse Mercator, Zone 13S
10 000-foot ticks: Colorado Coordinate System of 1983 (central zone)

Imagery.....NAIP, July 2011
Roads.....G2006-2012, TomTom
Names.....GNIS, 2013
Hydrography.....National Hydrography Dataset, 2011
Contours.....National Elevation Dataset, 2007
Boundaries, IBW, IBC, USCS, 1972 - 2012
Public Land Survey System.....BLM, 2011



SCALE 1:24 000
CONTOUR INTERVAL 10 FEET
NORTH AMERICAN VERTICAL DATUM OF 1988
This map was produced to conform with the National Geospatial Program US Topo Product Standard, 2011. A metadata file associated with this product is draft version 0.6.14



Lake	Barron Creek	Hugo
Long Creek	Lake SE	Hugo SW
Punkin Center NW	Beckman Lake	Kinney Lake

LAKE SE, CO
2013

ADJOINING 7.5 QUADRANGLES