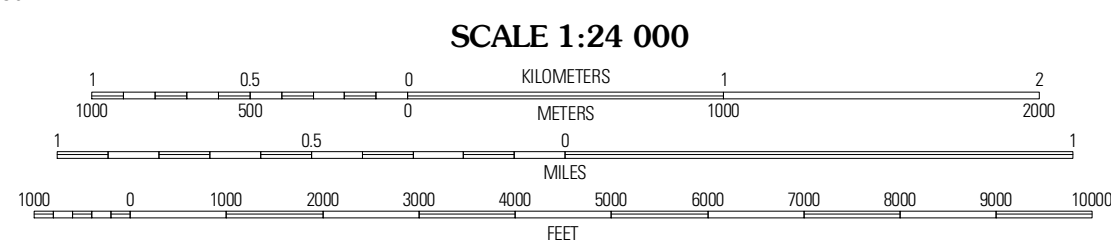
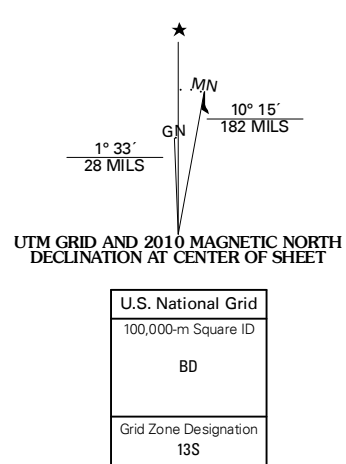




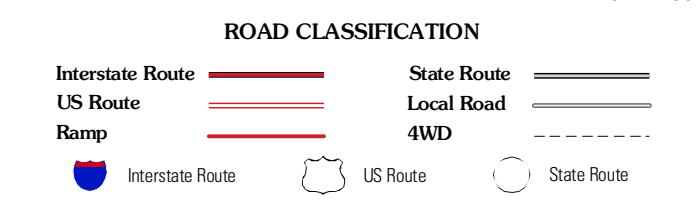
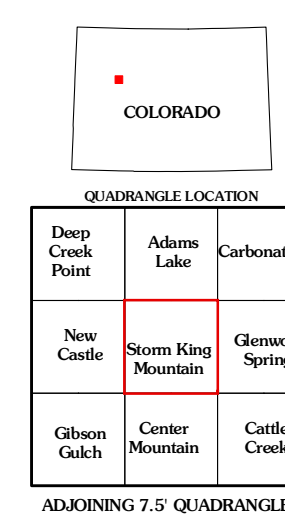
Produced by the United States Geological Survey  
North American Datum of 1983 (NAD83)  
World Geodetic System of 1984 (WGS84) Projection and  
1 000-meter grid; Universal Transverse Mercator, Zone 13S  
10 000-foot ticks; Colorado Coordinate System of 1983  
(central zone)

Imagery.....NAP, July 2009  
Roads.....©2006-2010 Tele Atlas  
Name.....GNIS, 2008  
Hydrography.....National Hydrography Dataset, 2009  
Contours.....National Elevation Dataset, 2003



CONTOUR INTERVAL 40 FEET  
NORTH AMERICAN VERTICAL DATUM OF 1988

This map was produced to conform with version 0.5.10 of the draft USGS Standards for 7.5-Minute Quadrangle Maps. A metadata file associated with this product is draft version 0.5.11



**STORM KING MOUNTAIN, CO**  
2010