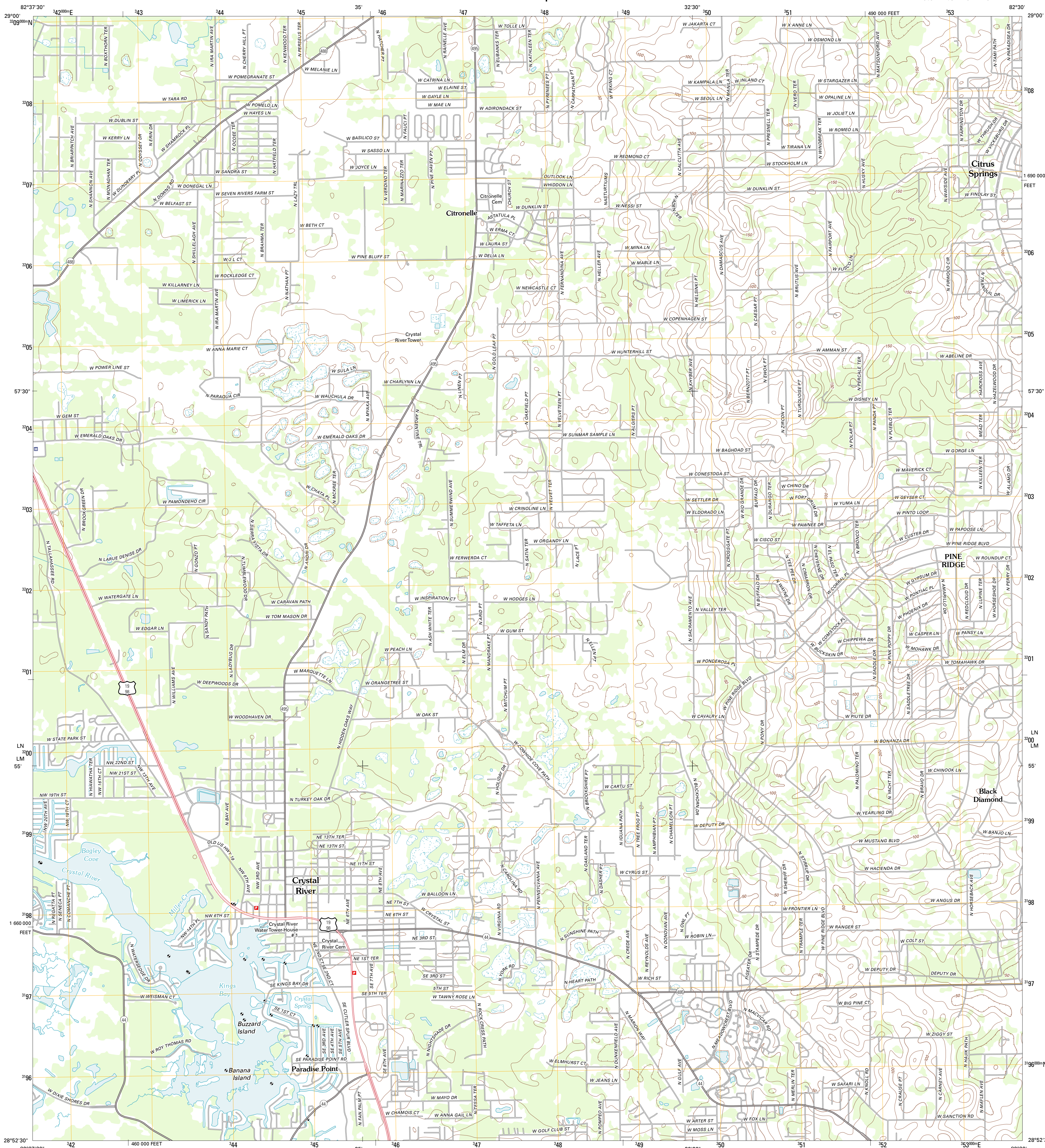




U.S. DEPARTMENT OF THE INTERIOR
U. S. GEOLOGICAL SURVEY

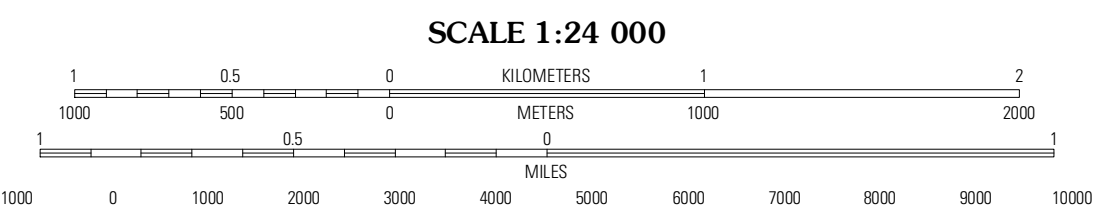
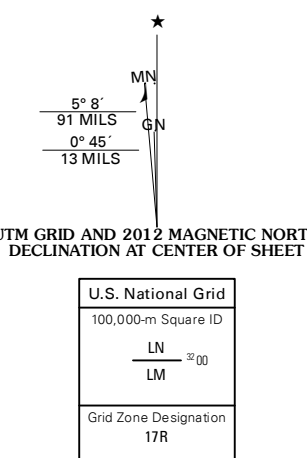


CRYSTAL RIVER QUADRANGLE
FLORIDA-CITRUS CO.
7.5-MINUTE SERIES



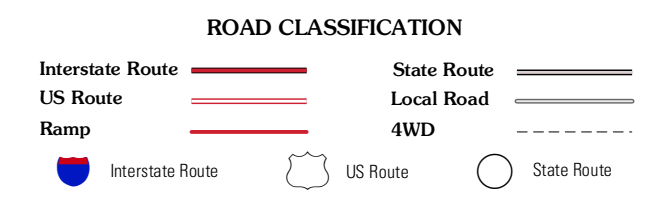
Produced by the United States Geological Survey
North American Datum of 1983 (NAD83)
World Geodetic System of 1984 (WGS84) Projection and
1 000-meter grid; Universal Transverse Mercator, Zone 17R
10 000-foot ticks; Florida Coordinate System of 1983 (west zone)

Images:.....NAIP, Map 2010
Roads:.....©2006-2011 TomTom
Names:.....GNIS, 2011
Hydrography:.....National Hydrography Dataset, 2012
Contours:.....National Elevation Dataset, 2012
Boundaries:.....Census, IBWC, IBC, USGS, 1972 - 2010



CONTOUR INTERVAL 10 FEET
NORTH AMERICAN VERTICAL DATUM OF 1988

This map was produced to conform with the
National Geospatial Program US Topo Product Standard, 2011.
A metadata file associated with this product is draft version 0.6.3



QUADRANGLE LOCATION

Yanketown	Yanketown SE	Dannelton
Red Level	Crystal River	Holder
Orebo	Homosassa	Lecanto

ADJOINING 7.5 QUADRANGLES

CRYSTAL RIVER, FL
2012