



U.S. DEPARTMENT OF THE INTERIOR
U. S. GEOLOGICAL SURVEY

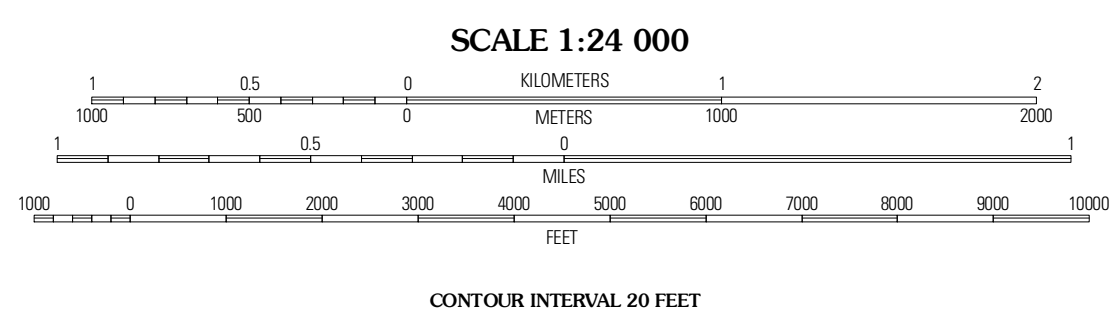
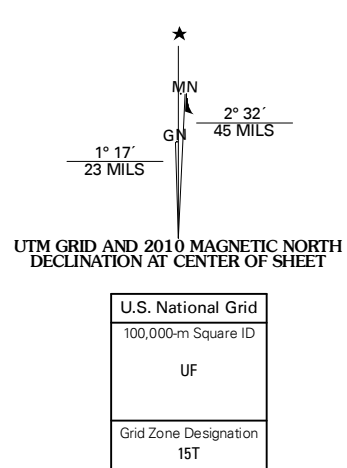


ANITA SW QUADRANGLE
IOWA
7.5-MINUTE SERIES

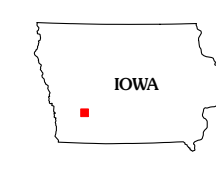


Produced by the United States Geological Survey
North American Datum of 1983 (NAD83)
World Geodetic System of 1984 (WGS84). Projection and
1 000-meter grid: Universal Transverse Mercator, Zone 15T
10 000-foot ticks: Iowa Coordinate System of 1983
(south zone)

Imagery.....NAIP, October 2006
Roads.....US Census Bureau TIGER data
with limited USGS updates, 2005
Names.....GNIS, 2008
Hydrography.....National Hydrography Dataset, 2006
Contours.....National Elevation Dataset, 2006



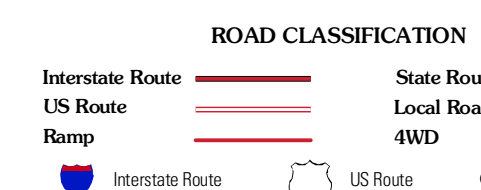
This map was produced to conform with version 0.5.10 of the
draft USGS Standards for 7.5-Minute Quadrangle Maps.
A metadata file associated with this product is also draft version 0.5.10



QUADRANGLE LOCATION

Atlantic	Wota	Anita
Lewis	Anita SW	Massena
Greenold NE	Grant	Dewey

ADJOINING 7.5' QUADRANGLES



ANITA SW, IA
2010