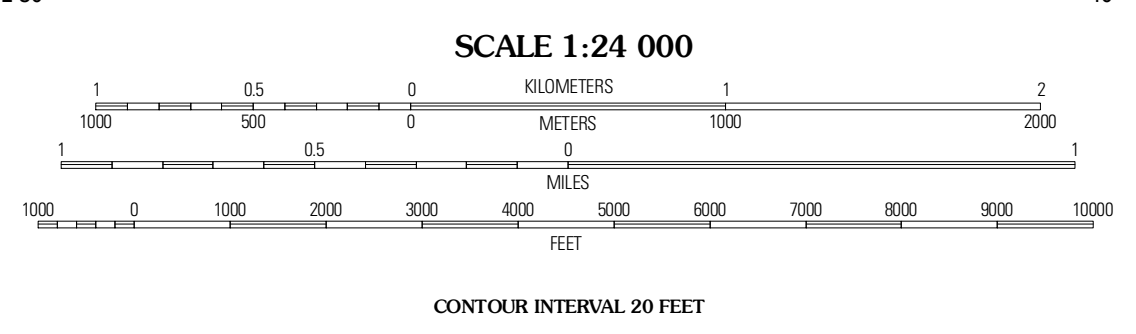
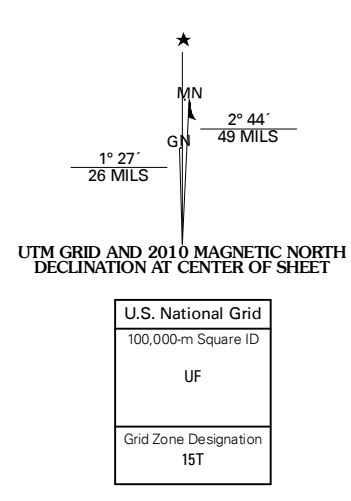


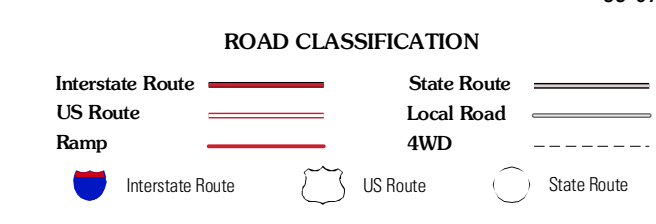
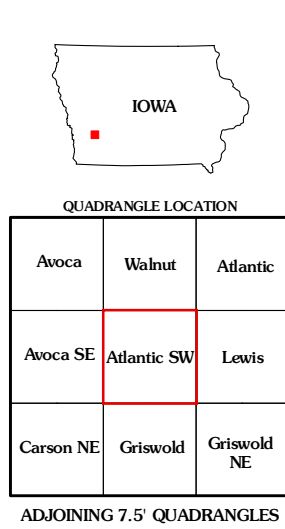


Produced by the United States Geological Survey  
North American Datum of 1983 (NAD83)  
World Geodetic System of 1984 (WGS84). Projection and  
1 000-meter grid: Universal Transverse Mercator, Zone 15T  
10 000-foot ticks: Iowa Coordinate System of 1983  
(south zone)

Imagery.....NAIP, October 2006  
Roads.....US Census Bureau TIGER data  
with limited USGS updates, 2004 - 2005  
Names.....GNIS, 2008  
Hydrography.....National Hydrography Dataset, 2006  
Contours.....National Elevation Dataset, 2006



This map was produced to conform with version 0.5.10 of the  
draft USGS Standards for 7.5-Minute Quadrangle Maps.  
A metadata file associated with this product is also draft version 0.5.10



ATLANTIC SW, IA  
2010