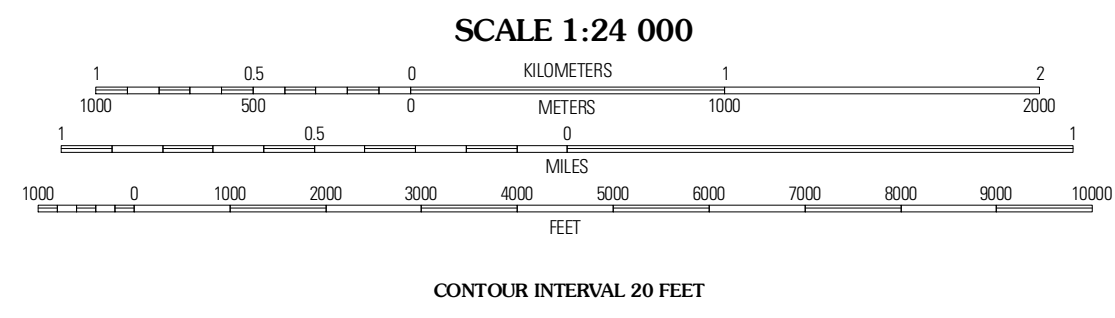




Produced by the United States Geological Survey
North American Datum of 1983 (NAD83)
US Census Bureau TIGER data with limited USGS updates, 2004
Names, 2008
Hydrography, National Hydrography Dataset, 2006
Contours, National Elevation Dataset, 2006

UTM GRID AND 2010 MAGNETIC NORTH DECLINATION AT CENTER OF SHEET

U.S. National Grid
100,000m Square ID
TG * 00
TF * 00
Grid Zone Designation 18T



This map was produced to conform with version 0.5.10 of the draft USGS Standards for 7.5-Minute Quadrangle Maps. A metadata file associated with this product is also draft version 0.5.10

QUADRANGLE LOCATION

Missouri Valley NW	Logan	Woodbine
Missouri Valley	Beebetown	Hard Scratch
Lowland	Honey Creek	Underwood

ADJOINING 7.5' QUADRANGLES

ROAD CLASSIFICATION

Interstate Route	State Route
US Route	Local Road
Ramp	4WD

BEEBETOWN, IA
2010