



U.S. DEPARTMENT OF THE INTERIOR
U. S. GEOLOGICAL SURVEY

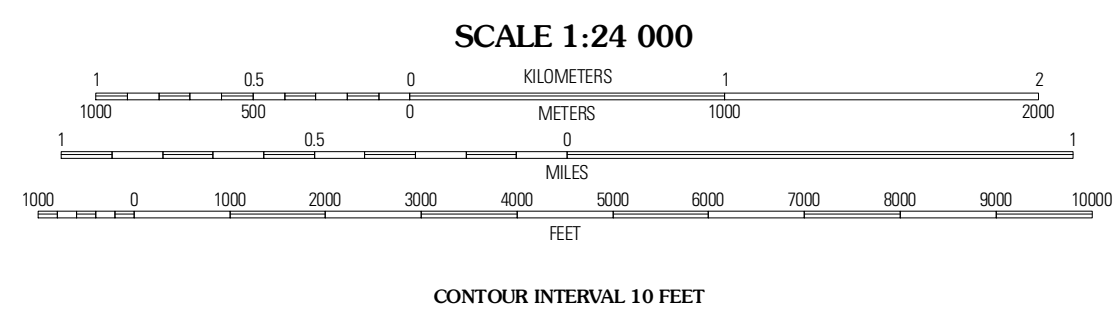
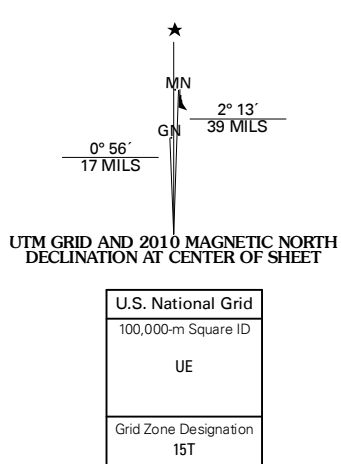


BLOCKTON QUADRANGLE
IOWA-MISSOURI
7.5-MINUTE SERIES

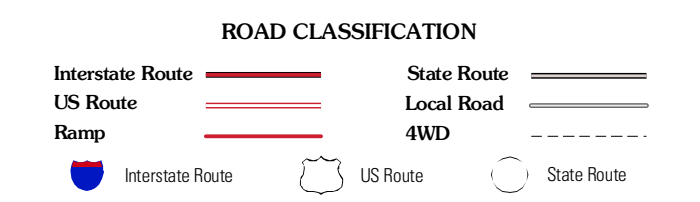
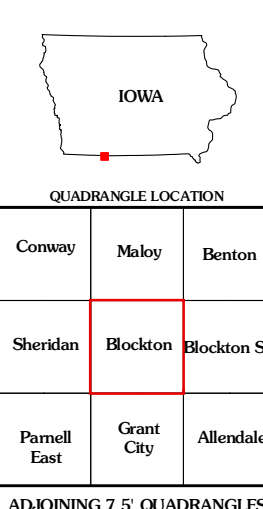


Produced by the United States Geological Survey
North American Datum of 1983 (NAD83)
World Geodetic System of 1984 (WGS84). Projection and
1 000-meter grid; Universal Transverse Mercator, Zone 15T
10 000-foot ticks; Iowa Coordinate System of 1983
(south zone) and Missouri Coordinate System of 1983
(west zone)

Imagery.....NAP, July 2007
Roads.....US Census Bureau TIGER data
with limited USGS updates, 2004 - 2005
Names.....GNIS, 2008
Hydrography.....National Hydrography Dataset, 2007
Contours.....National Elevation Dataset, 2005



This map was produced to conform with version 0.5.10 of the
draft USGS Standards for 7.5-Minute Quadrangle Maps.
A metadata file associated with this product is also draft version 0.5.10



BLOCKTON, IA-MO
2010