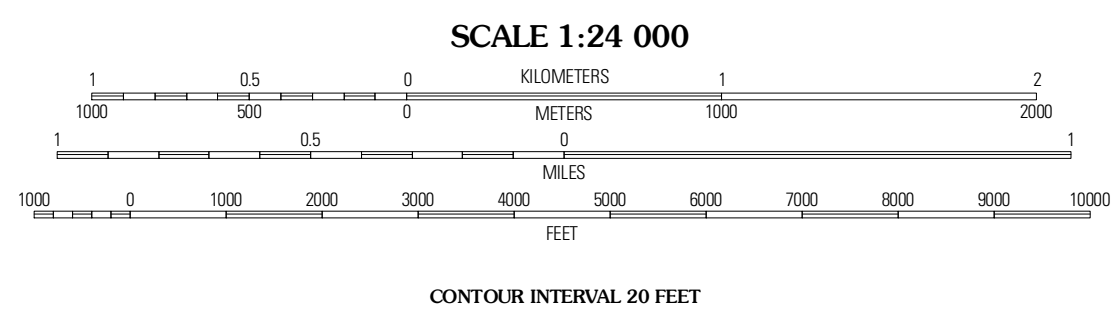
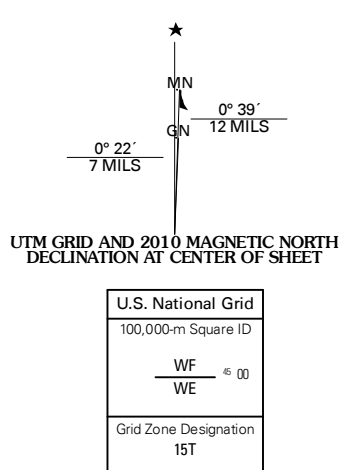




Produced by the United States Geological Survey
North American Datum of 1983 (NAD83)
World Geodetic System of 1984 (WGS84) Projection and
1 000-meter grid; Universal Transverse Mercator, Zone 15T
10 000-foot ticks; Iowa Coordinate System of 1983
(south zone)

Imagery.....NAP, September 2006
Roads.....US Census Bureau TIGER data
with limited USGS updates, 2004
Names.....GNIS, 2008
Hydrography.....National Hydrography Dataset, 2006
Contours.....National Elevation Dataset, 1999



This map was produced to conform with version 0.5.10 of the
draft USGS Standards for 7.5-Minute Quadrangle Maps.
A metadata file associated with this product is also draft version 0.5.10

