



U.S. DEPARTMENT OF THE INTERIOR  
U. S. GEOLOGICAL SURVEY

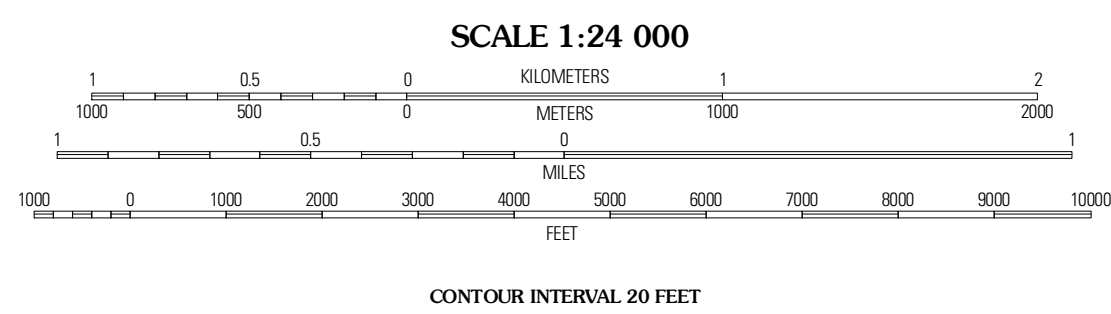
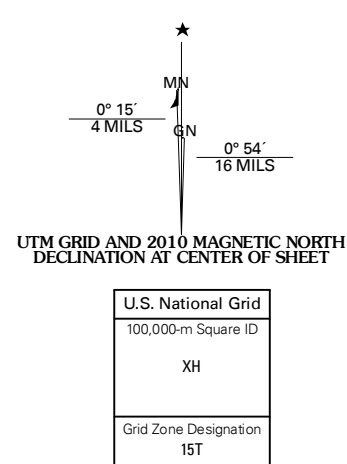


ELGIN QUADRANGLE  
IOWA  
7.5-MINUTE SERIES

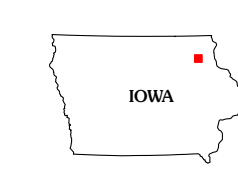


Produced by the United States Geological Survey  
North American Datum of 1983 (NAD83)  
World Geodetic System of 1984 (WGS84). Projection and  
1 000-meter grid: Universal Transverse Mercator, Zone 15T  
(10 000-foot ticks: Iowa Coordinate System of 1983  
(north zone))

Imagery.....NAP, September 2009  
Roads.....US Census Bureau TIGER data  
with limited USGS updates, 2004  
Names.....GNIS, 2008  
Hydrography.....National Hydrography Dataset, 2009  
Contours.....National Elevation Dataset, 1999



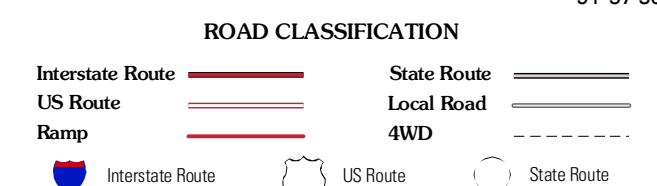
This map was produced to conform with version 0.5.10 of the  
draft USGS Standards for 7.5-Minute Quadrangle Maps.  
A metadata file associated with this product is also draft version 0.5.10



QUADRANGLE LOCATION

Festina	Castala	Postville
West Union	<b>Elgin</b>	Gunder
Fayette	Wadena	Volga

ADJOINING 7.5 QUADRANGLES



ELGIN, IA  
2010