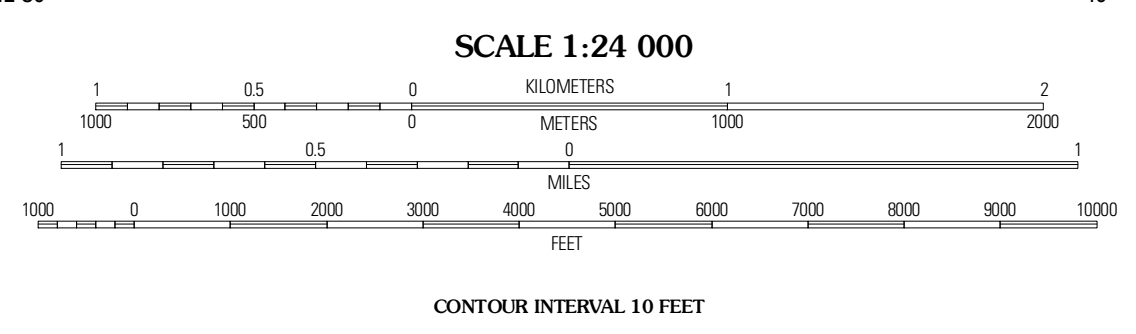
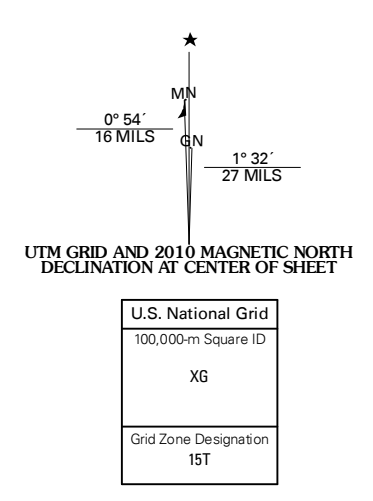


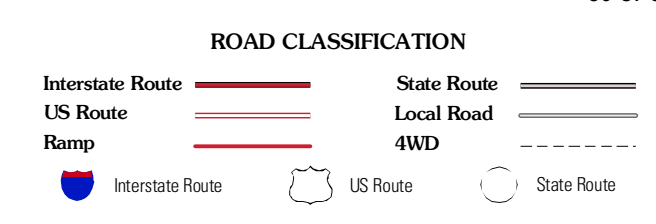
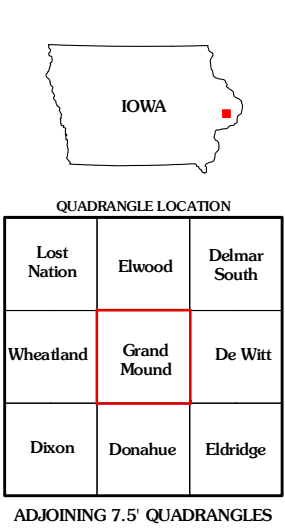


Produced by the United States Geological Survey
North American Datum of 1983 (NAD83)
World Geodetic System of 1984 (WGS84). Projection and
1 000-meter grid. Universal Transverse Mercator, Zone 15T
10 000-foot ticks: Iowa Coordinate System of 1983
(south zone)

Imagery.....NAIP, September 2006
Roads.....US Census Bureau TIGER data
with limited USGS updates, 2005 - 2008
Names.....GNIS, 2008
Hydrography.....National Hydrography Dataset, 2006
Contours.....National Elevation Dataset, 1999



This map was produced to conform with version 0.5.10 of the
draft USGS Standards for 7.5-Minute Quadrangle Maps.
A metadata file associated with this product is also draft version 0.5.10



GRAND MOUND, IA
2010