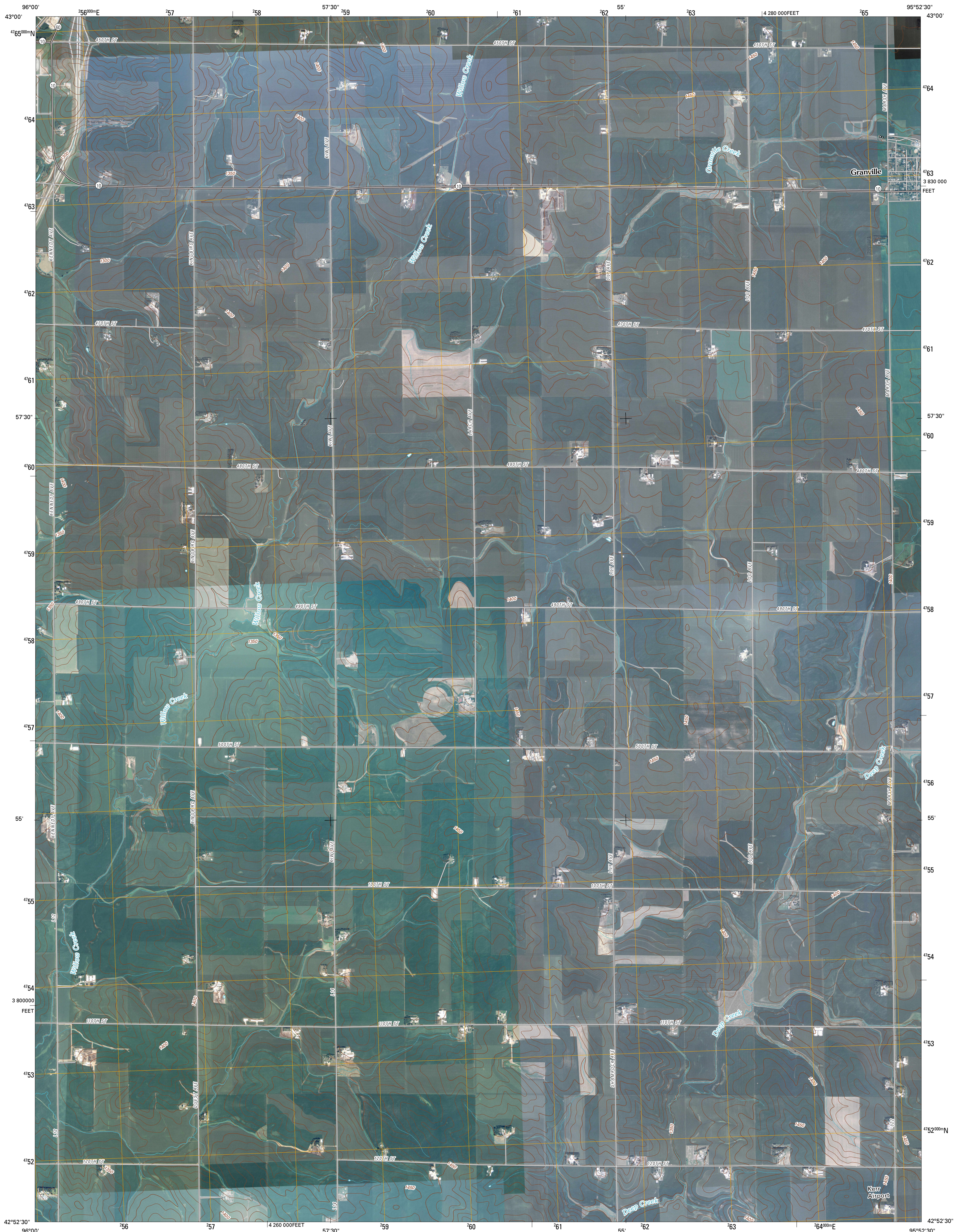




U.S. DEPARTMENT OF THE INTERIOR  
U. S. GEOLOGICAL SURVEY

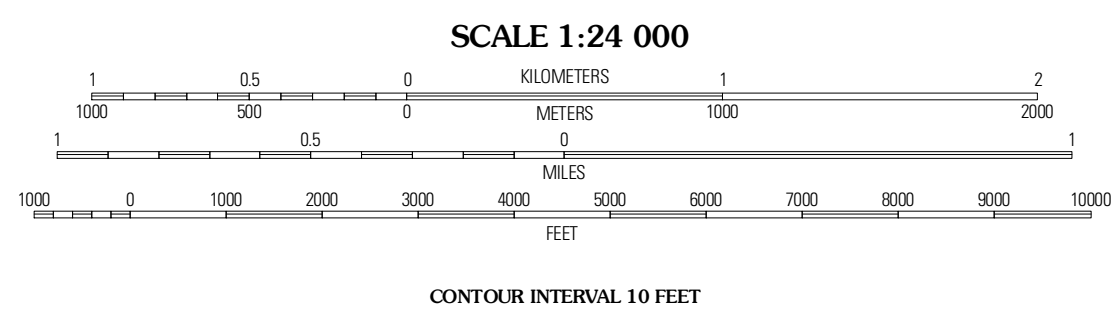
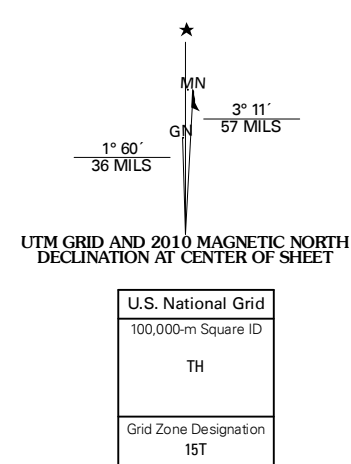


GRANVILLE WEST QUADRANGLE  
IOWA  
7.5-MINUTE SERIES

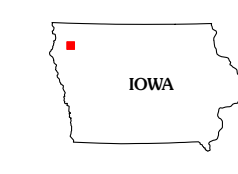


Produced by the United States Geological Survey  
North American Datum of 1983 (NAD83)  
World Geodetic System of 1984 (WGS84). Projection and  
1 000-meter grid: Universal Transverse Mercator, Zone 15T  
(north zone)

Imagery.....NAP, July 2009  
Roads.....US Census Bureau TIGER data  
with limited USGS updates, 2008  
Names.....GNIS, 2008  
Hydrography.....National Hydrography Dataset, 2009  
Contours.....National Elevation Dataset, 2006



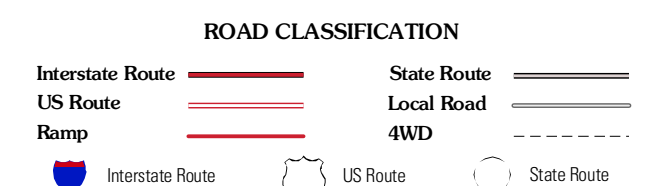
This map was produced to conform with version 0.5.10 of the  
draft USGS Standards for 7.5-Minute Quadrangle Maps.  
A metadata file associated with this product is also draft version 0.5.10



QUADRANGLE LOCATION

|                |                   |                   |
|----------------|-------------------|-------------------|
| Orange<br>City | Hospers           | Sheldon SE        |
| Alton          | Granville<br>West | Granville<br>East |
| Oyens          | Remsen            | Marcus            |

ADJOINING 7.5 QUADRANGLES



GRANVILLE WEST, IA  
2010