



U.S. DEPARTMENT OF THE INTERIOR  
U. S. GEOLOGICAL SURVEY

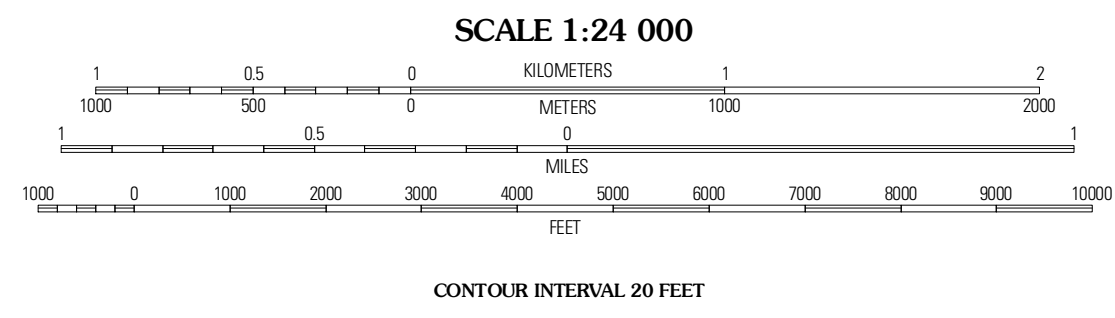
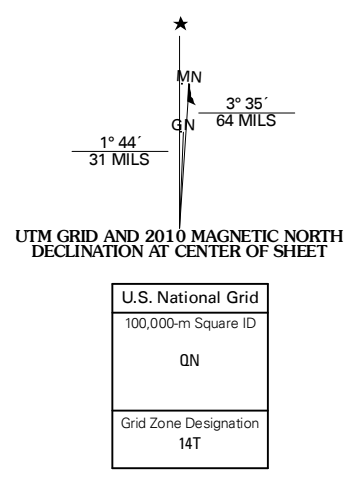


IRETON SW QUADRANGLE  
IOWA  
7.5-MINUTE SERIES

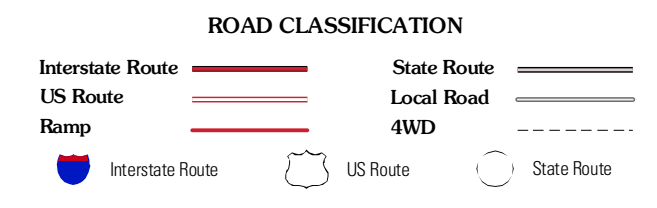
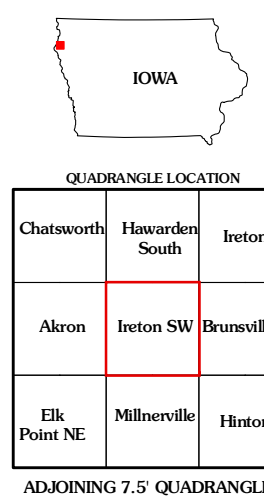


Produced by the United States Geological Survey  
North American Datum of 1983 (NAD83)  
US Census Bureau TIGER data with limited USGS updates, 2008  
World Geodetic System of 1984 (WGS84), Projection and 1 000-meter grid; Universal Transverse Mercator, Zone 14T  
10 000-foot ticks: Iowa Coordinate System of 1983 (north zone)

Imagery.....NAP, July 2009 - August 2009  
Roads.....US Census Bureau TIGER data with limited USGS updates, 2008  
Names.....GNS, 2008  
Hydrography.....National Hydrography Dataset, 2009  
Contours.....National Elevation Dataset, 2005



This map was produced to conform with version 0.5.10 of the draft USGS Standards for 7.5-Minute Quadrangle Maps. A metadata file associated with this product is also draft version 0.5.10



IRETON SW, IA  
2010