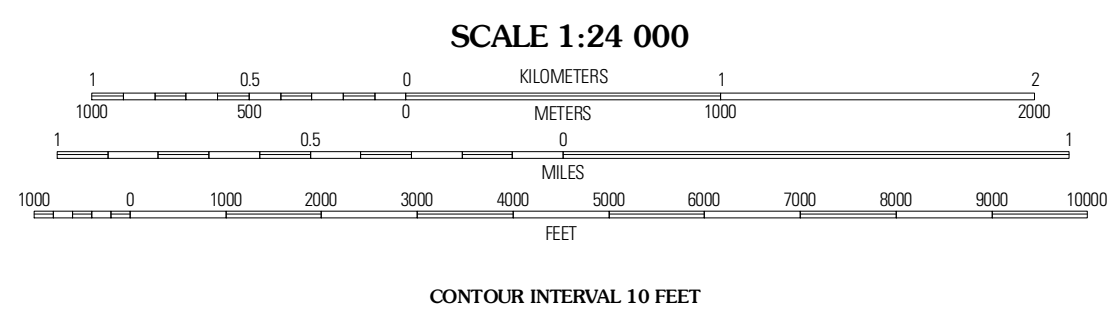
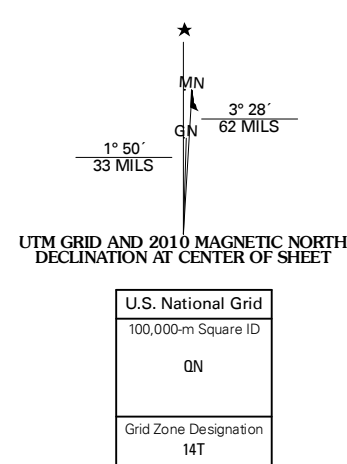
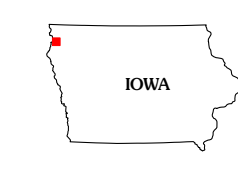


Produced by the United States Geological Survey
North American Datum of 1983 (NAD83)
World Geodetic System of 1984 (WGS84). Projection and
1 000-meter grid: Universal Transverse Mercator, Zone 14T
10 000-foot ticks: Iowa Coordinate System of 1983
(north zone)

Imagery:.....NAIP, July 2009
Rivers:.....US Census Bureau TIGER data
with limited USGS updates, 2008
Names:.....GNIS, 2008
Hydrography:.....National Hydrography Dataset, 2009
Contours:.....National Elevation Dataset, 2006



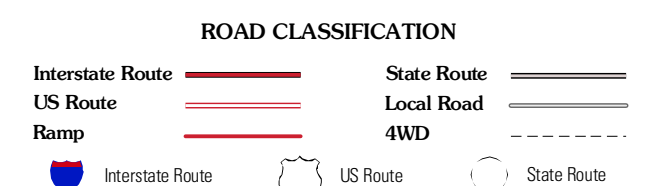
This map was produced to conform with version 0.5.10 of the
draft USGS Standards for 7.5-Minute Quadrangle Maps.
A metadata file associated with this product is also draft version 0.5.10



QUADRANGLE LOCATION

Fairview	Rock Valley	Hull
Howards North	Lebanon	Stark Center
Howards South	Inton	Maurice

ADJOINING 7.5 QUADRANGLES



LEBANON, IA
2010