

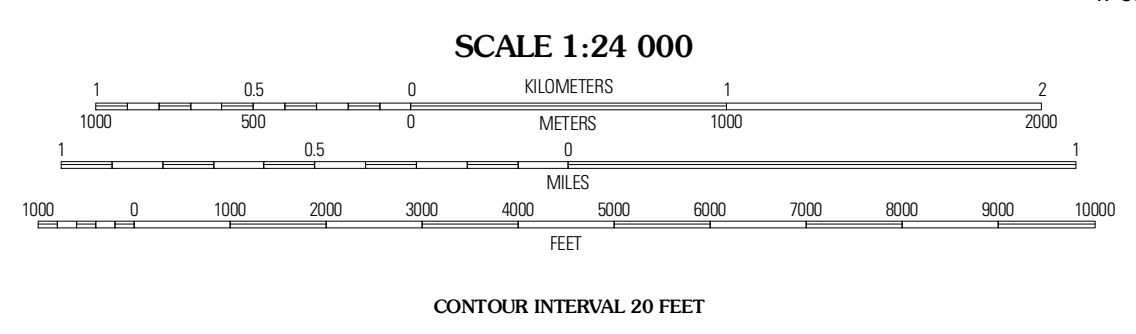


Produced by the United States Geological Survey  
North American Datum of 1983 (NAD83)  
World Geodetic System of 1984 (WGS84). Projection and  
1 000-meter grid: Universal Transverse Mercator, Zone 15T  
10 000-foot ticks: Iowa Coordinate System of 1983  
(south zone)

Imagery.....NAIP, September 2009  
Roads.....US Census Bureau TIGER data  
with limited USGS updates, 2005  
Names.....GNIS, 2008  
Hydrography.....National Hydrography Dataset, 2009  
Contours.....National Elevation Dataset, 1999

UTM GRID AND 2010 MAGNETIC NORTH  
DECLINATION AT CENTER OF SHEET

U.S. National Grid  
100,000-m Square ID  
VF  
Grid Zone Designation  
15T



This map was produced to conform with version 0.5.10 of the  
draft USGS Standards for 7.5-Minute Quadrangle Maps.  
A metadata file associated with this product is also draft version 0.5.10

IOWA

QUADRANGLE LOCATION

East Peru	Truro	New Virginia
Murray	Osceola	Jamison
Hopetile	Lucelle	Weldon

ADJOINING 7.5' QUADRANGLES

ROAD CLASSIFICATION

Interstate Route (thick red line)  
US Route (red line)  
Ramp (red line with blue arrow)  
State Route (grey line)  
Local Road (thin grey line)  
4WD (dashed grey line)

OSCEOLA, IA  
2010