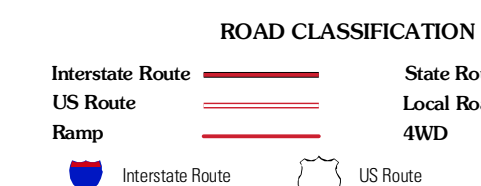
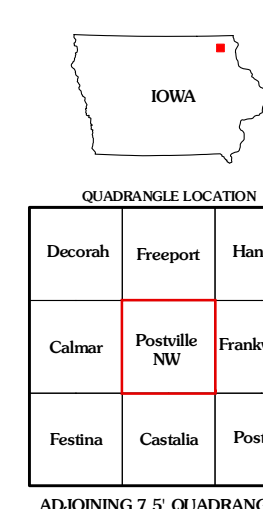
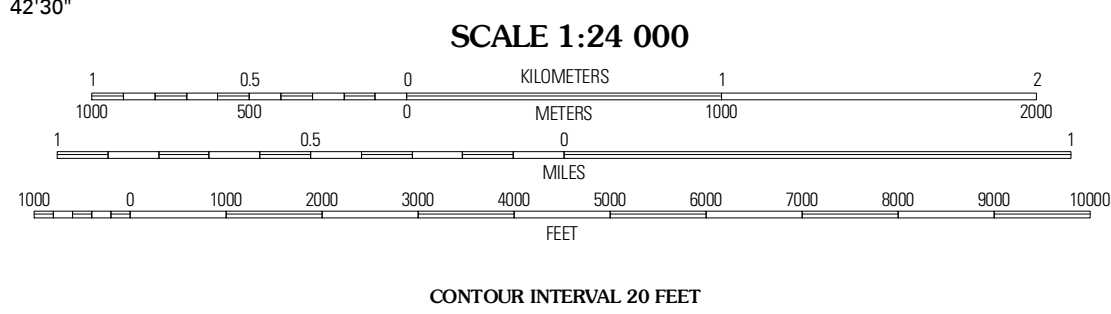
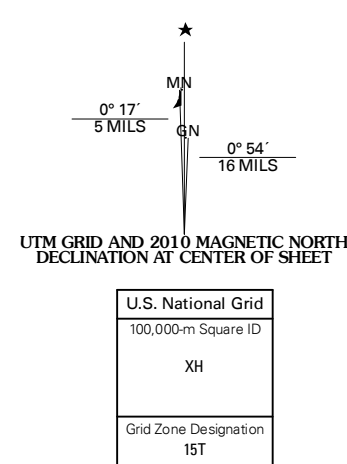




Produced by the United States Geological Survey
North American Datum of 1983 (NAD83)
Rivers: US Census Bureau TIGER data
with limited USGS updates, 2004
Names: GNIS, 2008
Hydrography: National Hydrography Dataset, 2009
Contours: National Elevation Dataset, 2005



Imagery: NADP, September 2009
Rivers: US Census Bureau TIGER data
with limited USGS updates, 2004
Names: GNIS, 2008
Hydrography: National Hydrography Dataset, 2009
Contours: National Elevation Dataset, 2005

This map was produced to conform with version 0.5.10 of the
draft USGS Standards for 7.5-Minute Quadrangle Maps.
A metadata file associated with this product is also draft version 0.5.10

POSTVILLE NW, IA
2010