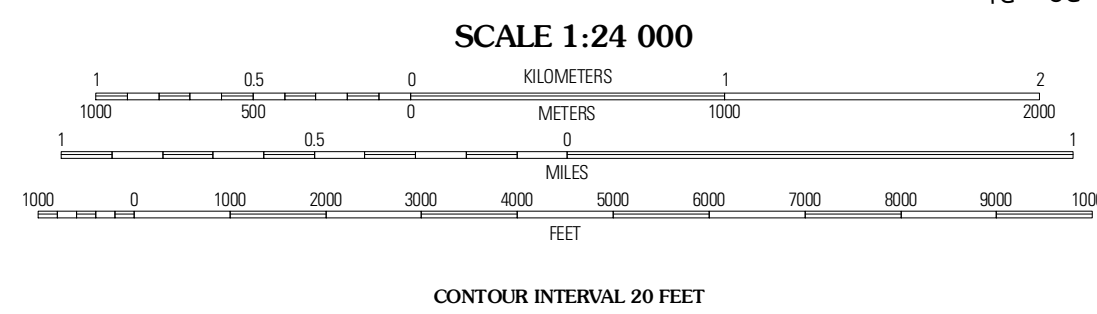
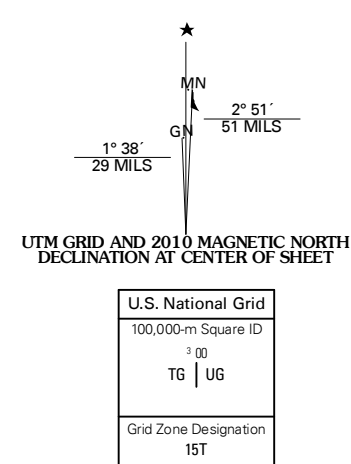


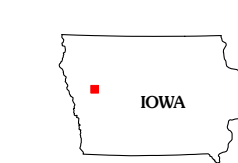


Produced by the United States Geological Survey  
North American Datum of 1983 (NAD83)  
World Geodetic System of 1984 (WGS84) Projection and  
1 000-meter grid; Universal Transverse Mercator, Zone 15T  
10 000-foot ticks: Iowa Coordinate System of 1983  
(north zone)

Imagery.....NAIP, September 2006 - October 2006  
Roads.....US Census Bureau TIGER data  
with limited USGS updates, 2005  
Names.....GNIS, 2008  
Hydrography.....National Hydrography Dataset, 2006  
Contours.....National Elevation Dataset, 2016



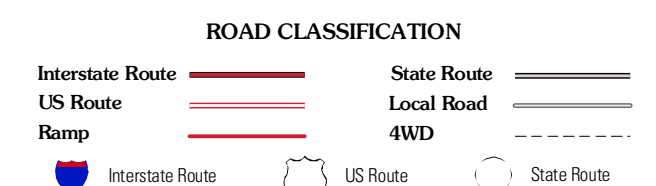
CONTOUR INTERVAL 20 FEET  
This map was produced to conform with version 0.5.10 of the  
draft USGS Standards for 7.5-Minute Quadrangle Maps.  
A metadata file associated with this product is also draft version 0.5.10



QUADRANGLE LOCATION

Bottle Creek	Ils Grove	Odeboit West
Ricketts	Schleswig	Kiron
Charter Oak	Denison SW	Denison

ADJOINING 7.5' QUADRANGLES



**SCHLESWIG, IA**  
2010