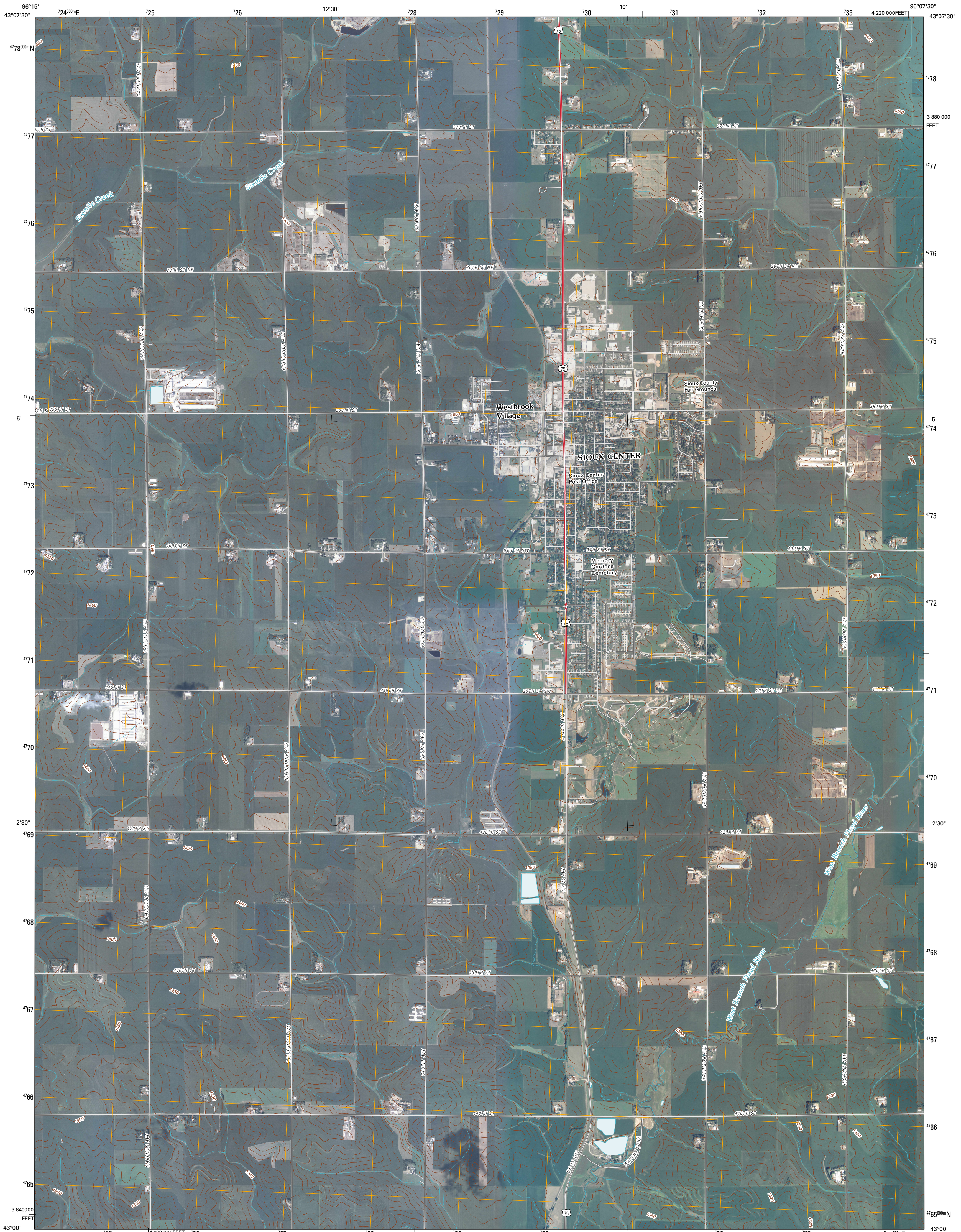




U.S. DEPARTMENT OF THE INTERIOR  
U. S. GEOLOGICAL SURVEY

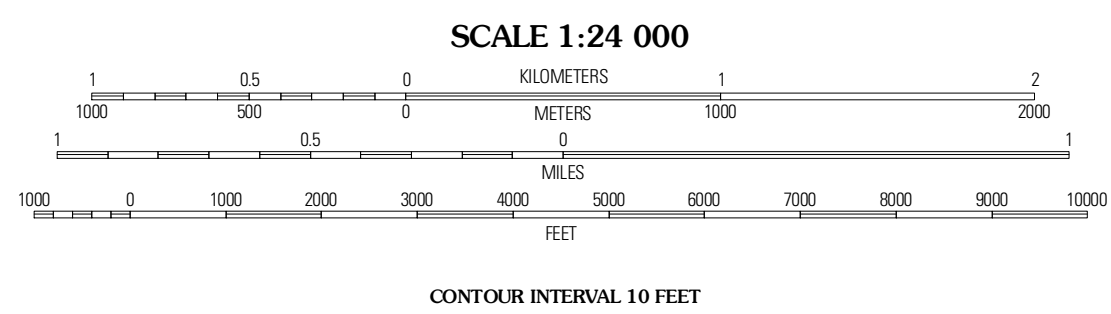
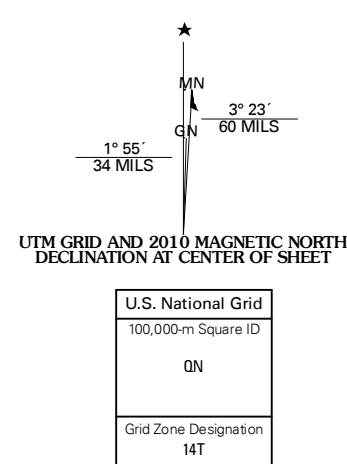


SIoux CENTER QUADRANGLE  
IOWA  
7.5-MINUTE SERIES

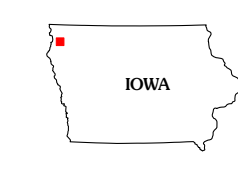


Produced by the United States Geological Survey  
North American Datum of 1983 (NAD83)  
World Geodetic System of 1984 (WGS84). Projection and  
1 000-meter grid: Universal Transverse Mercator, Zone 14T  
10 000-foot ticks: Iowa Coordinate System of 1983  
(north zone)

Imagery.....NAP, September 2006  
Roads.....US Census Bureau TIGER data  
with limited USGS updates, 2008  
Names.....GNIS, 2008  
Hydrography.....National Hydrography Dataset, 2006  
Contours.....National Elevation Dataset, 2006



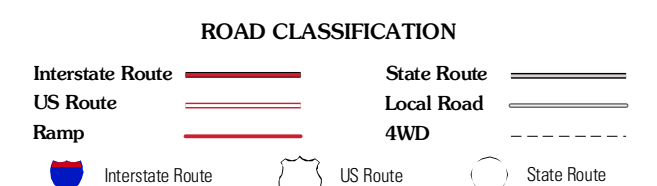
This map was produced to conform with version 0.5.10 of the  
draft USGS Standards for 7.5-Minute Quadrangle Maps.  
A metadata file associated with this product is also draft version 0.5.10



QUADRANGLE LOCATION

Rock Valley	Hull	Boyd
Lebanon	Sioux Center	Orange City
Ileton	Maurice	Alton

ADJOINING 7.5 QUADRANGLES



SIoux CENTER, IA  
2010