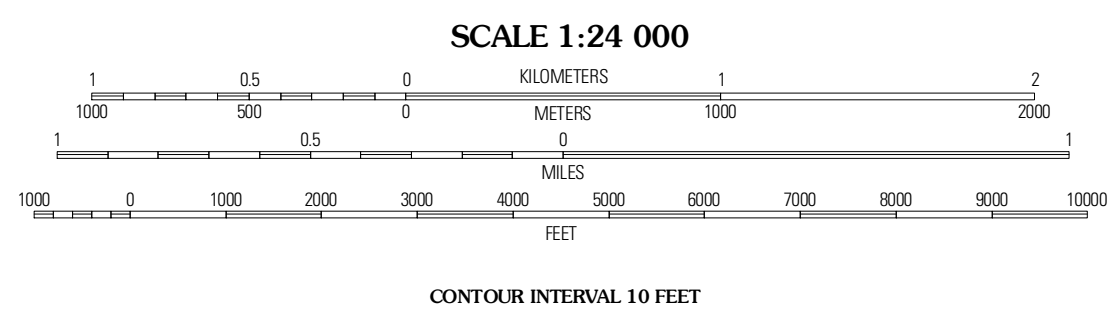
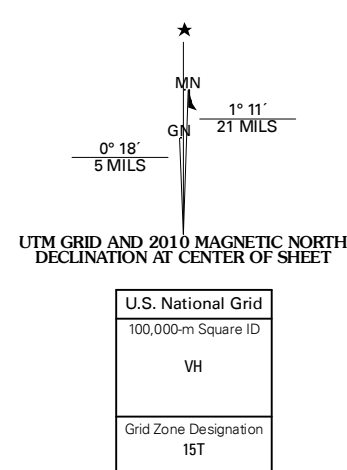




Produced by the United States Geological Survey
North American Datum of 1983 (NAD83)
US Census Bureau TIGER data with limited USGS updates, 2008
World Geospatial System of 1984 (WGS84). Projection and 1 000-meter grid; Universal Transverse Mercator, Zone 15T
10 000-foot ticks: Iowa Coordinate System of 1983 (north zone)

Imagery.....NAP, August 2009 - September 2009
Roads.....US Census Bureau TIGER data with limited USGS updates, 2008
Names.....GNIS, 2008
Hydrography.....National Hydrography Dataset, 2009
Contours.....National Elevation Dataset, 2005

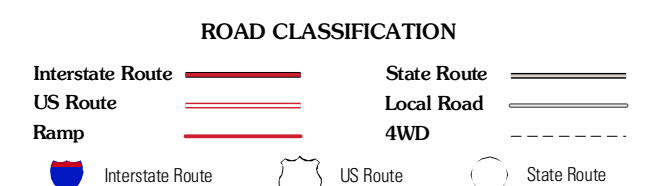


This map was produced to conform with version 0.5.10 of the draft USGS Standards for 7.5-Minute Quadrangle Maps. A metadata file associated with this product is also draft version 0.5.10



Miller	Clear Lake West	Clear Lake East
Garner	Ventura Heights	Burchinal
Goodell	Thornton	Swaledale

ADJOINING 7.5 QUADRANGLES



VENTURA HEIGHTS, IA
2010