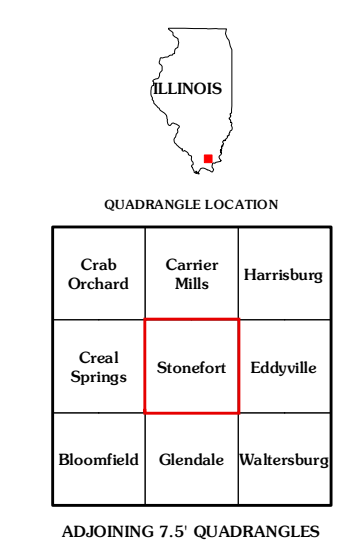
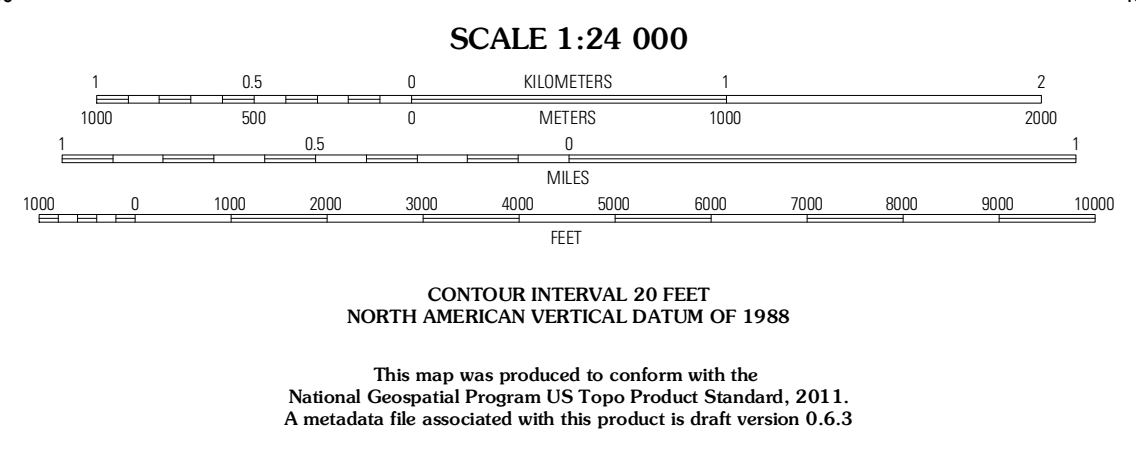
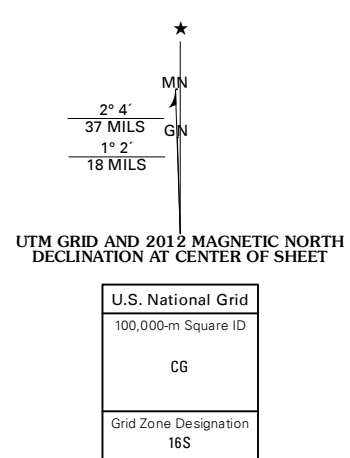


Produced by the United States Geological Survey
North American Datum of 1983 (NAD83)
World Geodetic System of 1984 (WGS84), Projection and
1 000-meter grid: Universal Transverse Mercator, Zone 16S
10 000-foot ticks: Illinois Coordinate System of 1983 (east
zone)

Imagery:.....NAIP, August 2011
Roads:.....©2006-2011 TomTom
Roads within US Forest Service Lands:.....FS Topo Data
with limited Forest Service updates, 2009
Names:.....GNIS, 2011
Hydrography:.....National Hydrography Dataset, 2011
Contours:.....National Elevation Dataset, 2009
Boundaries:.....Census, IBWC, IBC, USGS, 1972 - 2010



ROAD CLASSIFICATION

- Interstate Route (Red double line)
- US Route (Red line)
- Ramp (Blue line)
- State Route (Grey line)
- Local Road (Thin grey line)
- 4WD (Thick grey line)
- FS Primary Route (Blue line with 'F')
- FS Passenger Route (Blue line with 'P')
- FS High Clearance Route (Blue line with 'H')

Check with local Forest Service unit for current travel conditions and restrictions.

STONEFORT, IL
2012