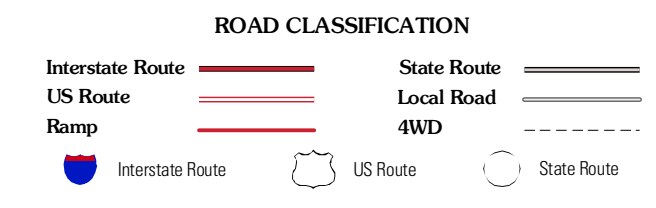
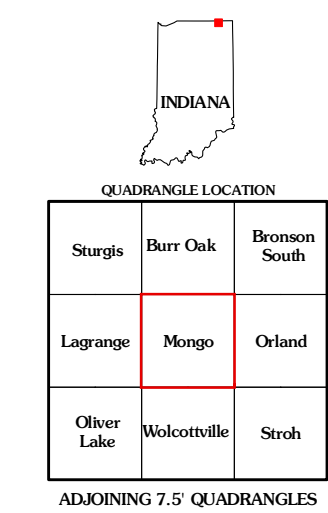
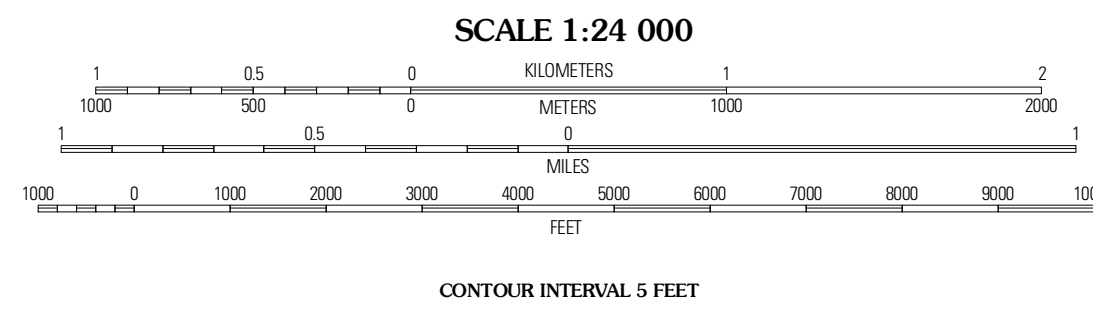
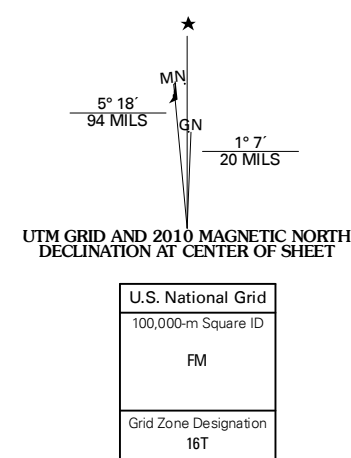




Produced by the United States Geological Survey
North American Datum of 1983 (NAD83)
Roads: US Census Bureau TIGER data with limited USGS updates, 2005
Names: GNIS, 2008
Hydrography: National Hydrography Dataset, 2008
Contours: National Elevation Dataset, 2007



This map was produced to conform with version 0.5.10 of the draft USGS Standards for 7.5-Minute Quadrangle Maps. A metadata file associated with this product is also draft version 0.5.10

MONGO, IN
2010