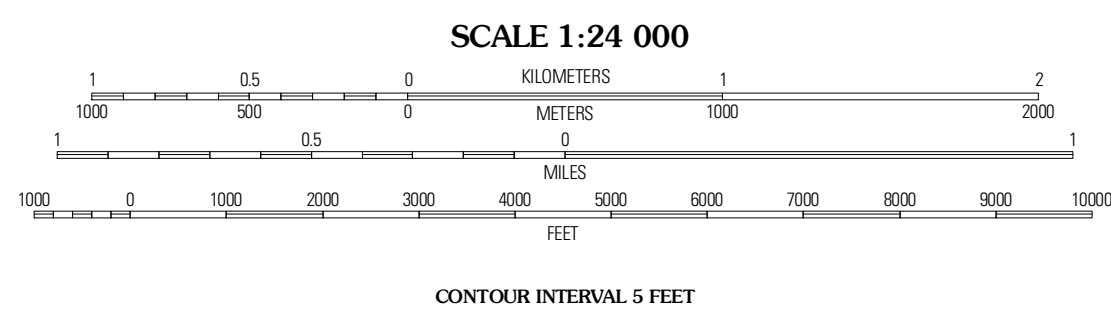
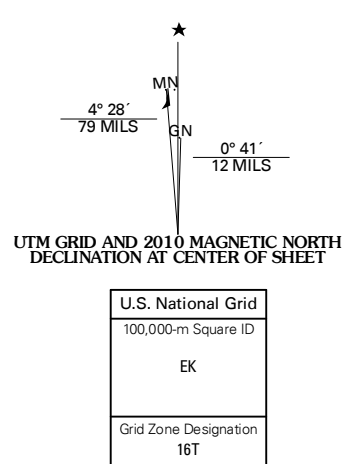


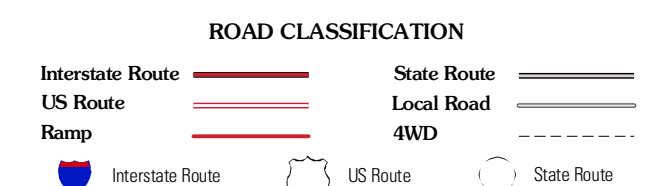
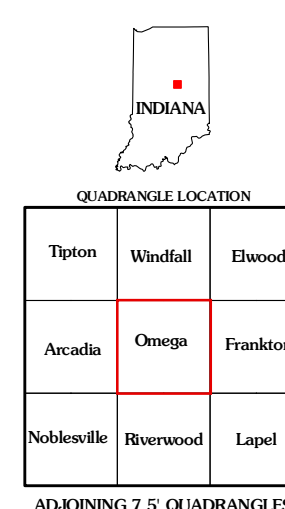


Produced by the United States Geological Survey  
North American Datum of 1983 (NAD83)  
World Geodetic System of 1984 (WGS84). Projection and  
1 000-meter grid: Universal Transverse Mercator, Zone 16T  
10 000-foot ticks: Indiana Coordinate System of 1983  
(east zone)

Imagery.....NAP, July 2008  
Roads.....US Census Bureau TIGER data  
with limited USGS updates, 2004 - 2008  
Names.....GNIS, 2008  
Hydrography.....National Hydrography Dataset, 2008  
Contours.....National Elevation Dataset, 2007



This map was produced to conform with version 0.5.10 of the  
draft USGS Standards for 7.5-Minute Quadrangle Maps.  
A metadata file associated with this product is also draft version 0.5.10



OMEGA, IN  
2010