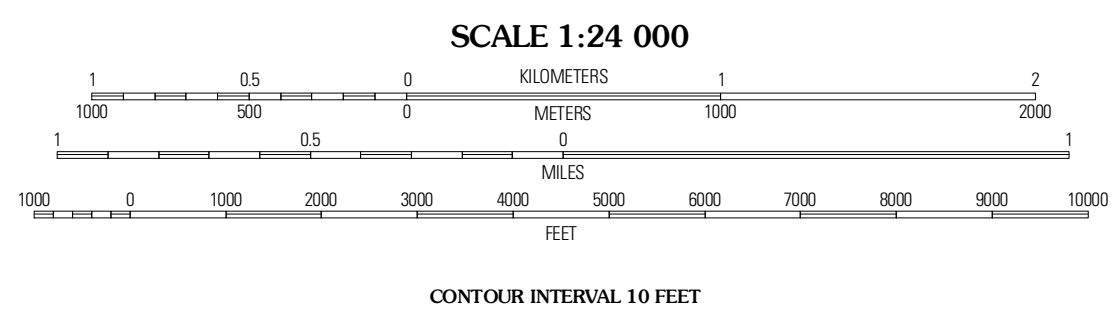
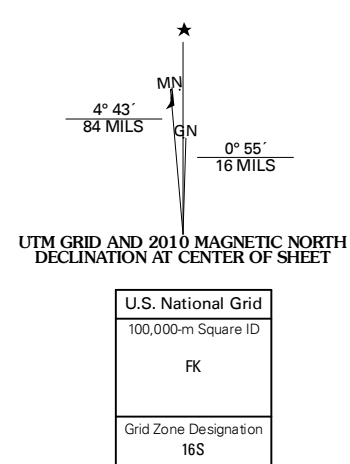
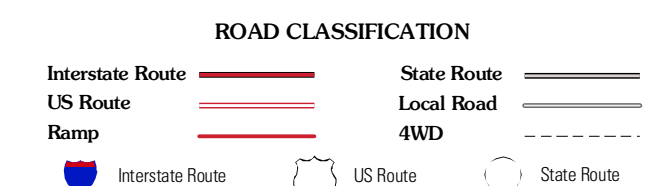
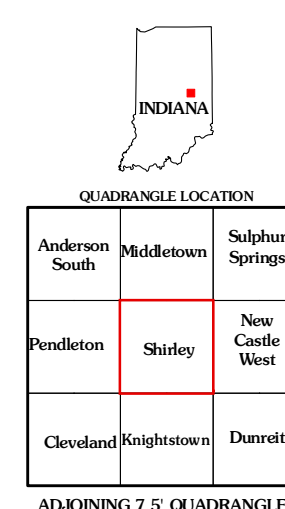


Produced by the United States Geological Survey
North American Datum of 1983 (NAD83)
World Geodetic System of 1984 (WGS84). Projection and
1 000-meter grid: Universal Transverse Mercator, Zone 16S
10 000-foot ticks: Indiana Coordinate System of 1983
(east zone)

Imagery: NAIIP, July 2008 - September 2008
Roads: US Census Bureau TIGER data
with limited USGS updates, 2004 - 2006
Names: GNIS, 2008
Hydrography: National Hydrography Dataset, 2008
Contours: National Elevation Dataset, 2000



This map was produced to conform with version 0.5.10 of the
draft USGS Standards for 7.5-Minute Quadrangle Maps.
A metadata file associated with this product is also draft version 0.5.10



SHIRLEY, IN
2010