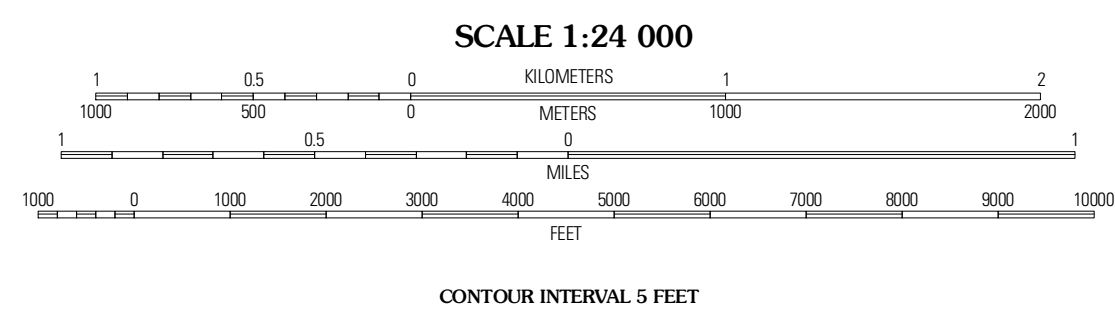
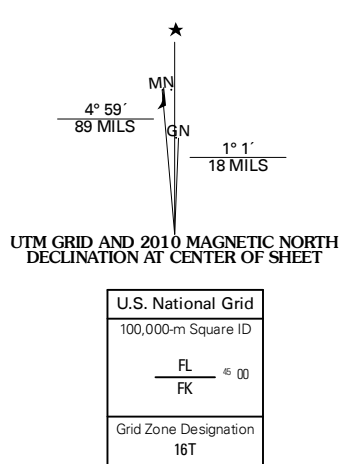


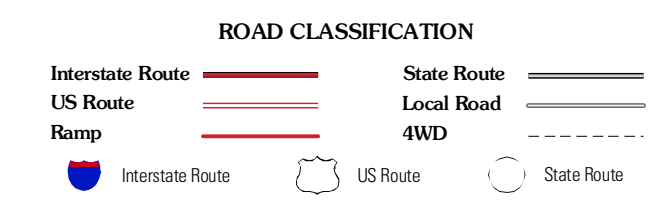
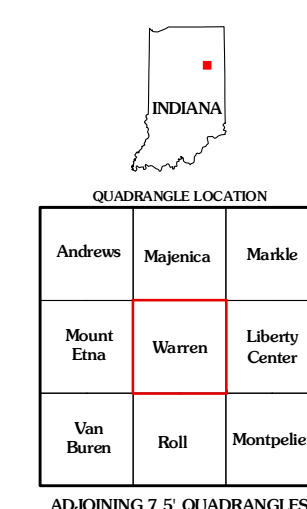


Produced by the United States Geological Survey
North American Datum of 1983 (NAD83)
World Geodetic System of 1984 (WGS84). Projection and
1 000-meter grid: Universal Transverse Mercator, Zone 16T
10 000-foot ticks: Indiana Coordinate System of 1983
(east zone)

Imagery:.....NAIP, August 2008
Roads:.....US Census Bureau TIGER data
with limited USGS updates, 2004 - 2008
Names:.....GNIS, 2008
Hydrography:.....National Hydrography Dataset, 2008
Contours:.....National Elevation Dataset, 2007



This map was produced to conform with version 0.5.10 of the
draft USGS Standards for 7.5-Minute Quadrangle Maps.
A metadata file associated with this product is also draft version 0.5.10



WARREN, IN
2010