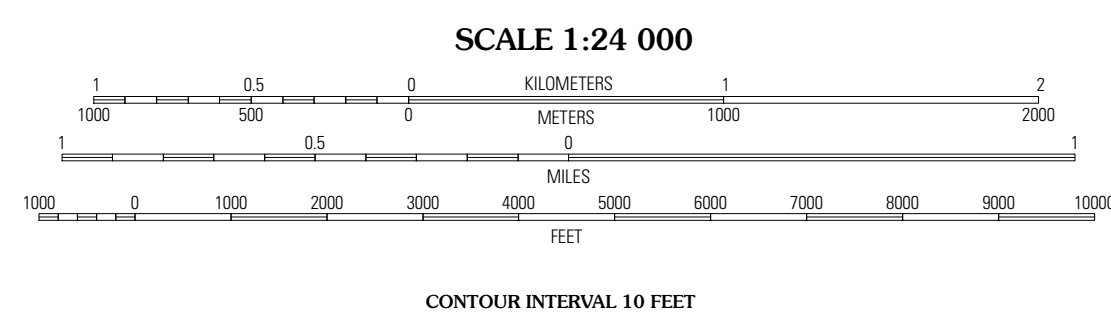
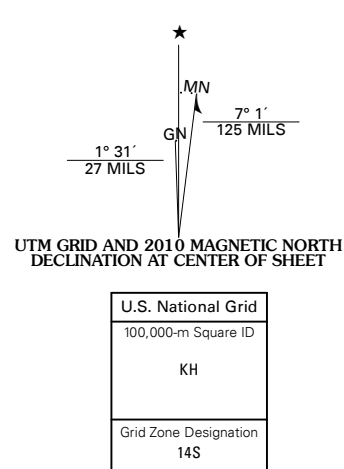
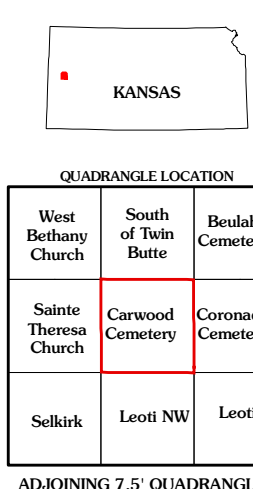


Produced by the United States Geological Survey
North American Datum of 1983 (NAD83)
World Geodetic System of 1984 (WGS84). Projection and
1 000-meter grid: Universal Transverse Mercator, Zone 14S
10 000-foot ticks: Kansas Coordinate System of 1983
(south zone)

Imagery.....NAIP, July 2008
Roads.....National Transportation Dataset, 2006
Names.....GNIS, 2008
Hydrography.....National Hydrography Dataset, 2008
Contours.....National Elevation Dataset, 2006



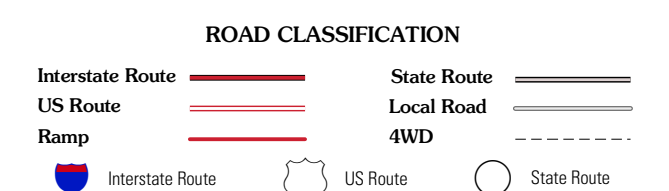
This map was produced to conform with version 0.5.10 of the
draft USGS Standards for 7.5-Minute Quadrangle Maps.
A metadata file associated with this product is also draft version 0.5.10



QUADRANGLE LOCATION

West Bethany Church	South of Twin Butte	Beulah Cemetery
Sainte Theresa Church	Carwood Cemetery	Coronado Cemetery
Selkirk	Leoti NW	Leoti

ADJOINING 7.5' QUADRANGLES



CARWOOD CEMETERY, KS
2010