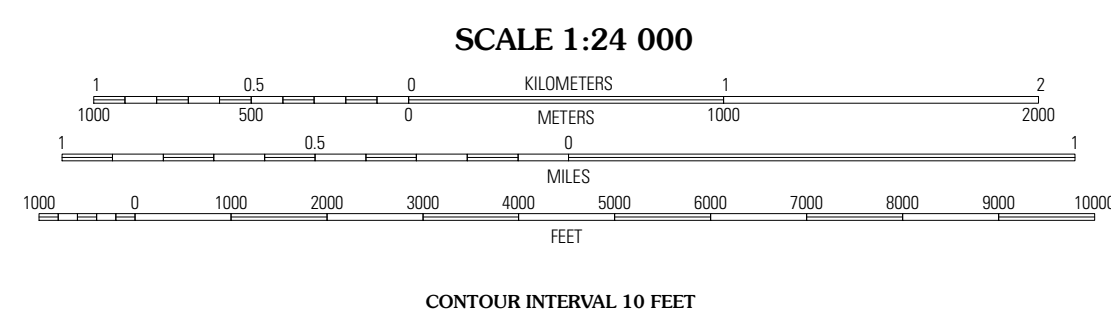
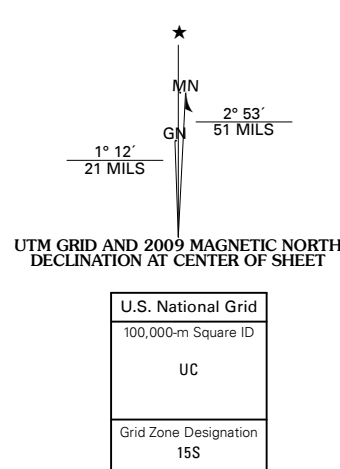


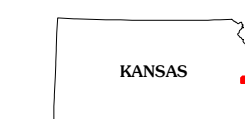


Produced by the United States Geological Survey  
North American Datum of 1983 (NAD83)  
World Geodetic System of 1984 (WGS84). Projection and  
1 000-meter grid: Universal Transverse Mercator, Zone 15S  
10 000-foot ticks: Kansas Coordinate System of 1983  
(south zone)

Imagery.....N.A.I.P., June 2008  
Roads.....National Transportation Dataset, 2006  
Names.....GNIS, 2008  
Hydrography.....National Hydrography Dataset, 2008  
Contours.....National Elevation Dataset, 2006

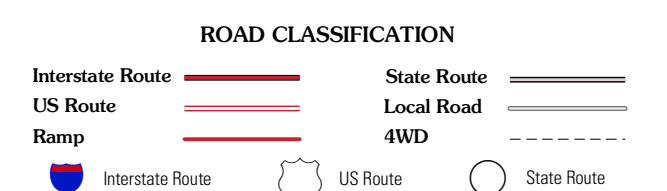


This map was produced to conform with version 0.5.10 of the  
draft USGS Standards for 7.5-Minute Quadrangle Maps.  
A metadata file associated with this product is also draft version 0.5.10



QUADRANGLE LOCATION		
Garnett SE	Parker	La Cygne
Centerville	Mound City NW	Mound City
Blue Mound	Mapleton	Mantey

ADJOINING 7.5' QUADRANGLES



MOUND CITY NW, KS  
2009