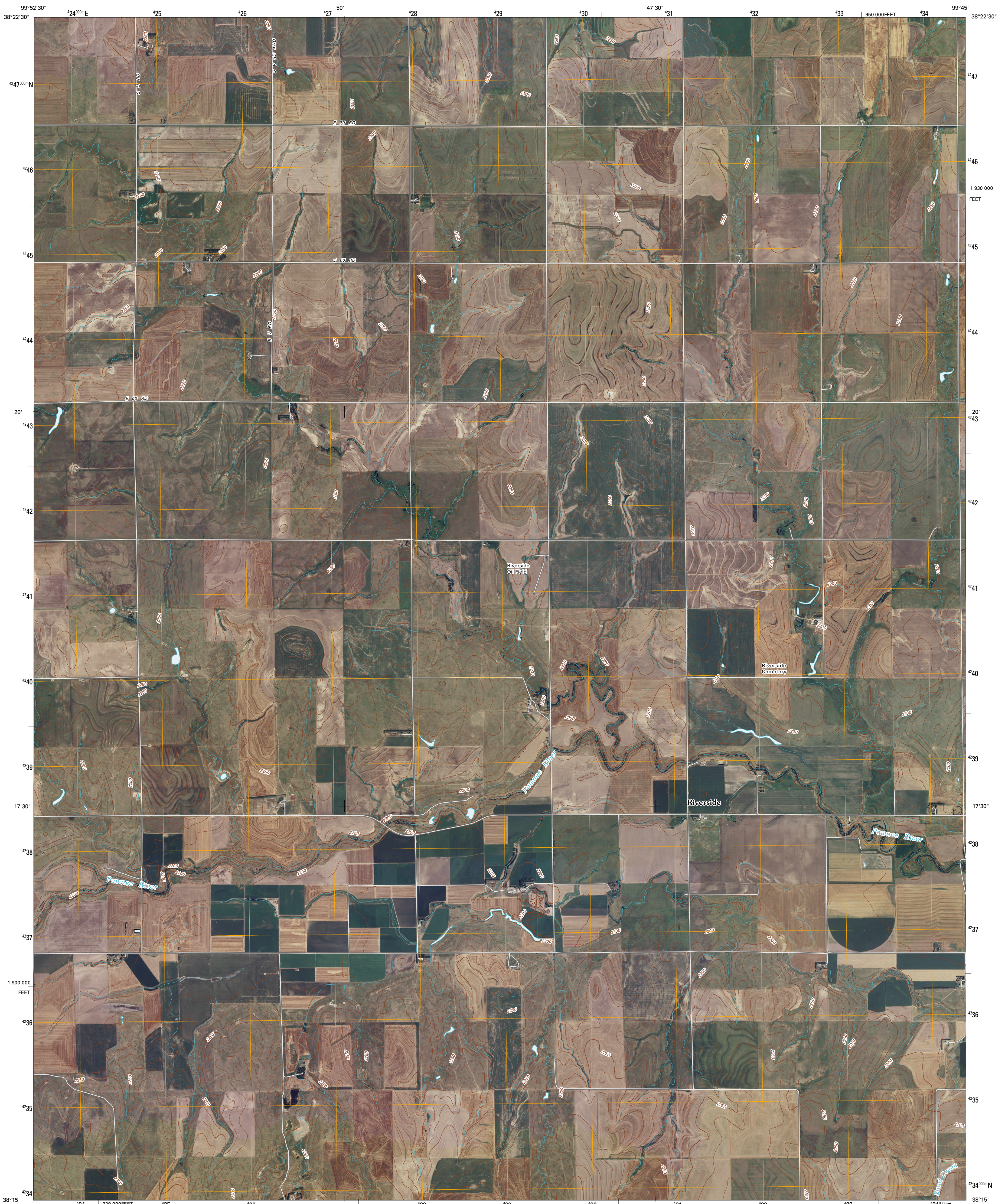




U.S. DEPARTMENT OF THE INTERIOR  
U. S. GEOLOGICAL SURVEY

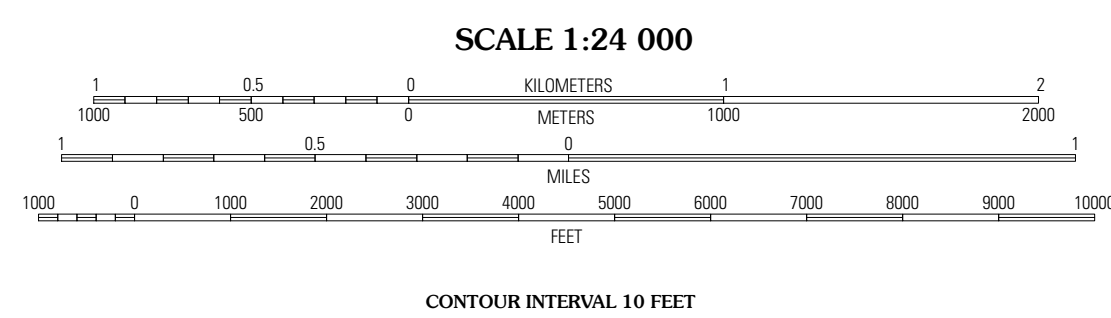
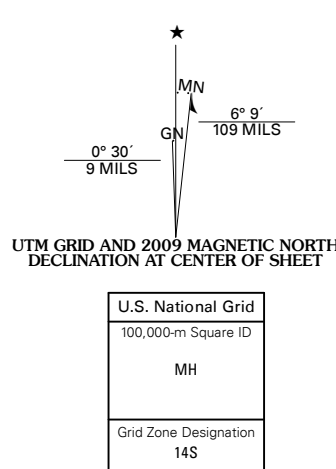


NESS CITY SE QUADRANGLE  
KANSAS  
7.5-MINUTE SERIES

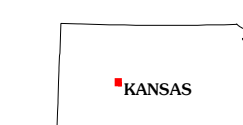


Produced by the United States Geological Survey  
North American Datum of 1983 (NAD83)  
World Geodetic System of 1984 (WGS84). Projection and  
1 000-meter grid: Universal Transverse Mercator, Zone 14S  
10 000-foot ticks: Kansas Coordinate System of 1983  
(south zone)

Imagery.....NAIP, July 2008  
Roads.....National Transportation Dataset, 2006  
Names.....GNIS, 2008  
Hydrography.....National Hydrography Dataset, 2008  
Contours.....National Elevation Dataset, 2006



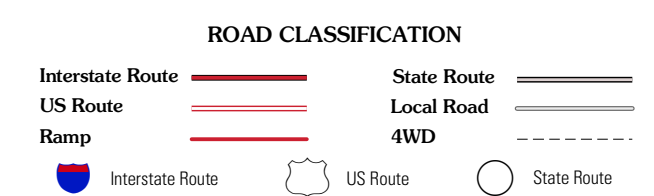
This map was produced to conform with version 0.5.10 of the  
draft USGS Standards for 7.5-Minute Quadrangle Maps.  
A metadata file associated with this product is also draft version 0.5.10



QUADRANGLE LOCATION

Ness City	Ness City NE	Bazine
Ness City SW	Ness City SE	Bazine SW
Jetmore NW	Jetmore NE	Harston NW

ADJOINING 7.5 QUADRANGLES



NESS CITY SE, KS  
2009