



U.S. DEPARTMENT OF THE INTERIOR
U. S. GEOLOGICAL SURVEY

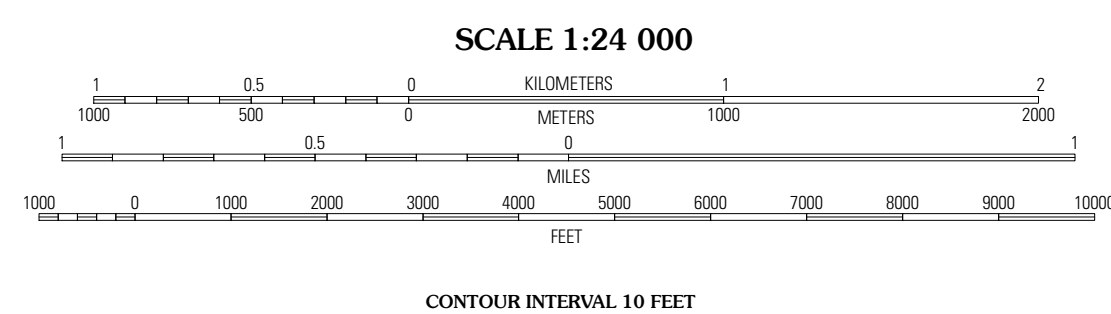
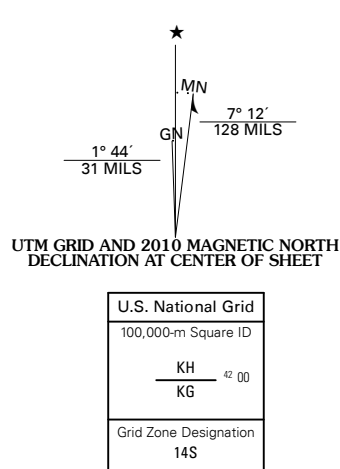


SYRACUSE WEST QUADRANGLE
KANSAS
7.5-MINUTE SERIES

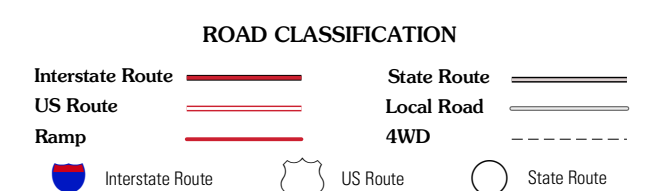
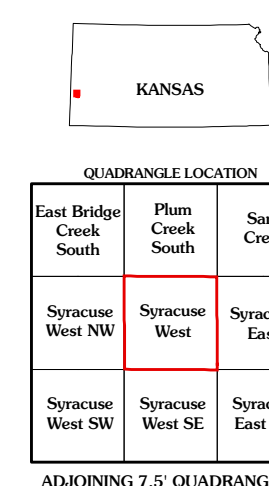


Produced by the United States Geological Survey
North American Datum of 1983 (NAD83)
World Geodetic System of 1984 (WGS84). Projection and
1 000-meter grid: Universal Transverse Mercator, Zone 14S
10 000-foot ticks: Kansas Coordinate System of 1983
(south zone)

Imagery.....N.A.I.P., July 2008
Roads.....National Transportation Dataset, 2005
Names.....GNIS, 2008
Hydrography.....National Hydrography Dataset, 2006
Contours.....National Elevation Dataset, 2006



SCALE 1:24 000
CONTOUR INTERVAL 10 FEET
This map was produced to conform with version 0.5.10 of the
draft USGS Standards for 7.5-Minute Quadrangle Maps.
A metadata file associated with this product is also draft version 0.5.10



SYRACUSE WEST, KS
2010