



U.S. DEPARTMENT OF THE INTERIOR
U. S. GEOLOGICAL SURVEY

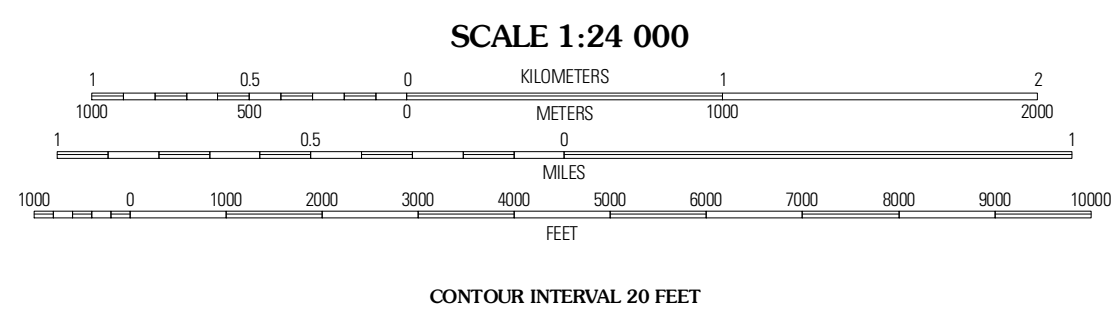
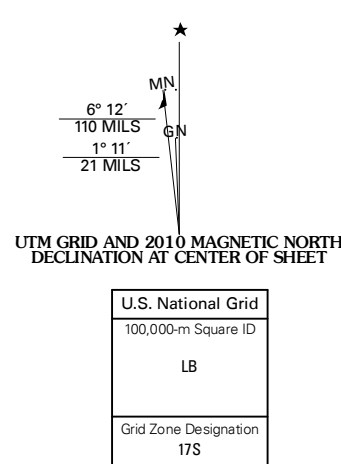


HANDSHOE QUADRANGLE
KENTUCKY
7.5-MINUTE SERIES



Produced by the United States Geological Survey
North American Datum of 1983 (NAD83)
World Geodetic System of 1984 (WGS84). Projection and
1 000-meter grid: Universal Transverse Mercator, Zone 17S
10 000-foot ticks: Kentucky Coordinate System of 1983
(south zone)

Imagery.....NAIP, August 2008 - October 2008
Roads.....US Census Bureau TIGER data
with limited USGS updates, 2004 - 2006
Names.....GNIS, 2008
Hydrography.....National Hydrography Dataset, 2008
Contours.....National Elevation Dataset, 2002



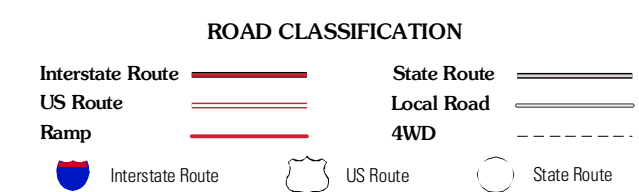
This map was produced to conform with version 0.5.10 of the
draft USGS Standards for 7.5-Minute Quadrangle Maps.
A metadata file associated with this product is also draft version 0.5.10



QUADRANGLE LOCATION

Tiptop	David	Martin
Vest	Handshoe	Wayland
Carrie	Hindman	Kite

ADJOINING 7.5 QUADRANGLES



HANDSHOE, KY
2010