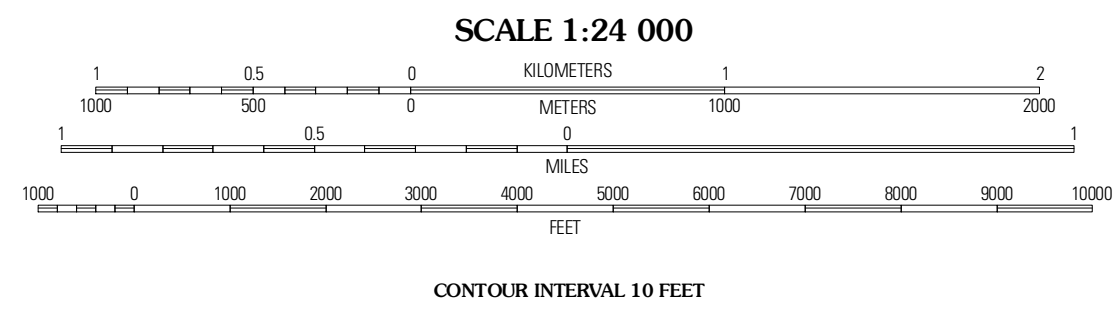
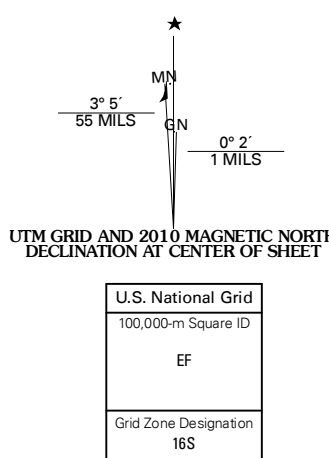




Produced by the United States Geological Survey
North American Datum of 1983 (NAD83)
World Geodetic System of 1984 (WGS84). Projection and
1 000-meter grid. Universal Transverse Mercator, Zone 16S
10 000-foot ticks: Kentucky Coordinate System of 1983
(south zone)

Imagery.....NAIP, July 2008
Roads.....US Census Bureau TIGER data
with limited USGS updates, 2004
Names.....GNIS, 2008
Hydrography.....National Hydrography Dataset, 2008
Contours.....National Elevation Dataset, 2002



SCALE 1:24 000

CONTOUR INTERVAL 10 FEET

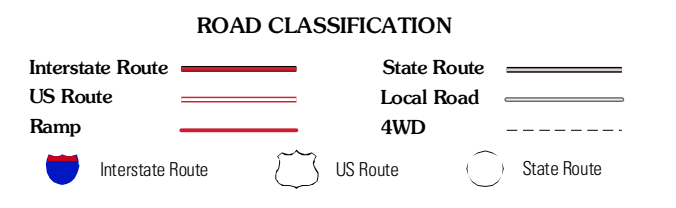
This map was produced to conform with version 0.5.10 of the
draft USGS Standards for 7.5-Minute Quadrangle Maps.
A metadata file associated with this product is also draft version 0.5.10



QUADRANGLE LOCATION

Rosewood	Dunmore	Quality
Sharon Grove	Lewisburg	Homer
Olmstead	Russellville	Dennis

ADJOINING 7.5' QUADRANGLES



LEWISBURG, KY
2010