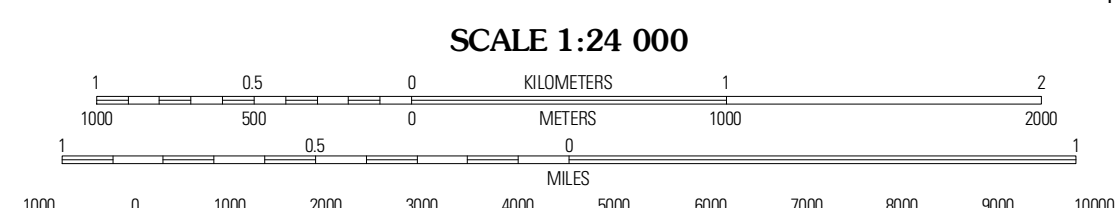
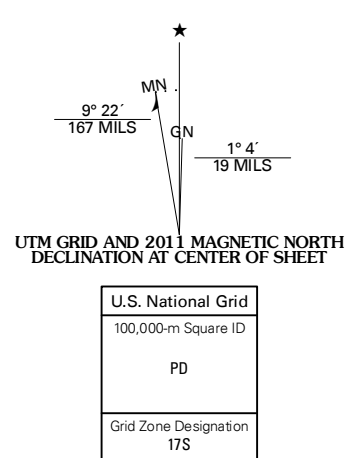


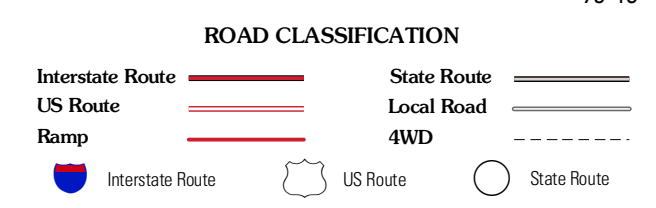
Produced by the United States Geological Survey  
North American Datum of 1983 (NAD83)  
World Geodetic System of 1984 (WGS84) Projection and  
1 000-meter grid; Universal Transverse Mercator, Zone 17S  
10 000-foot ticks; Maryland Coordinate System of 1983,  
West Virginia Coordinate System of 1983 (north zone)

Imagery.....NAIP, June 2009  
Roads.....©2006-2010 Tele Atlas  
Names.....GNS, 2010  
Hydrography.....National Hydrography Dataset, 2009  
Contours.....National Elevation Dataset, 2006  
Boundaries.....Census, IBWC, IBC, USGS, 1972 - 2010



CONTOUR INTERVAL 20 FEET  
NORTH AMERICAN VERTICAL DATUM OF 1988

This map was produced to conform with version 0.5.10  
of the USGS US Topo Product Standard.  
A metadata file associated with this product is draft version 0.5.15



QUADRANGLE LOCATION

Oakland	Deer Park	Ritzmiller
Table Rock	Gorman	Mount Storm
Darts	Mount Seem Lake	Greenhand Gap

ADJOINING 7.5' QUADRANGLES