



U.S. DEPARTMENT OF THE INTERIOR
U. S. GEOLOGICAL SURVEY

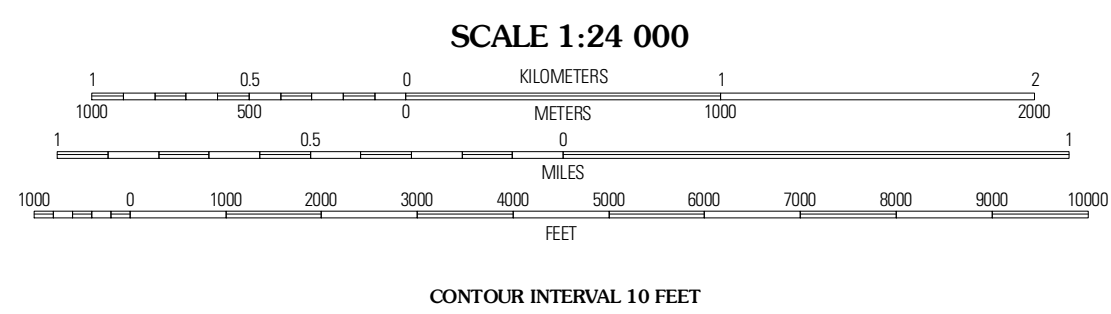
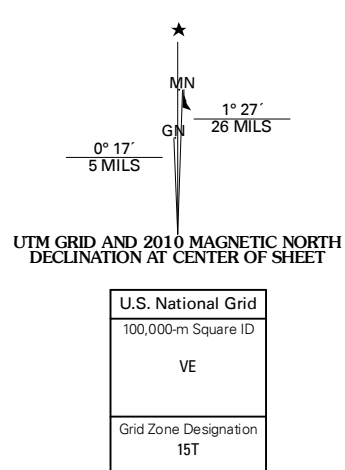


CLEOPATRA QUADRANGLE
MISSOURI-IOWA
7.5-MINUTE SERIES



Produced by the United States Geological Survey
North American Datum of 1983 (NAD83)
World Geodetic System of 1984 (WGS84). Projection and
1 000-meter grid: Universal Transverse Mercator, Zone 15T
10 000-foot ticks: Missouri Coordinate System of 1983
(central zone) and Iowa Coordinate System of 1983
(south zone)

Imagery: N.A.I.P. June 2007
Roads: US Census Bureau TIGER data with limited USGS updates, 2004 - 2005
Names: GNIS, 2008
Hydrography: National Hydrography Dataset, 2007
Contours: National Elevation Dataset, 2004



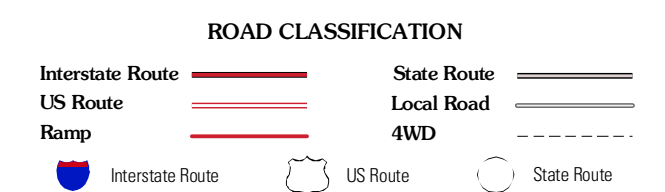
This map was produced to conform with version 0.5.10 of the
draft USGS Standards for 7.5-Minute Quadrangle Maps.
A metadata file associated with this product is also draft version 0.5.10



QUADRANGLE LOCATION

| | | |
|-----------|-----------|-------------|
| Woodland | Clo | Allerton |
| Linville | Cleopatra | Powersville |
| Princeton | Ravanna | Lucerne |

ADJOINING 7.5' QUADRANGLES



CLEOPATRA, MO-IA
2010