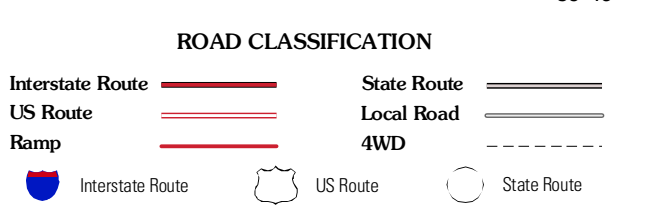
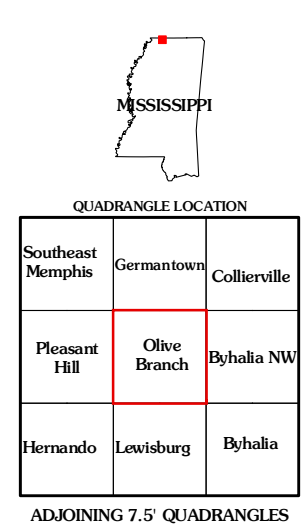
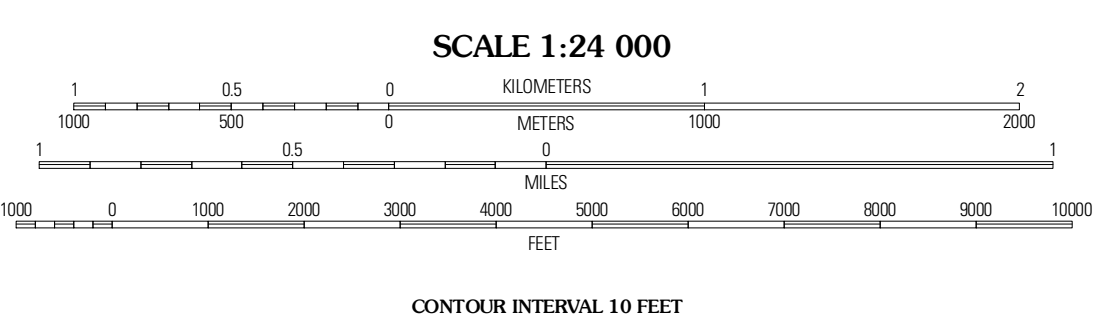
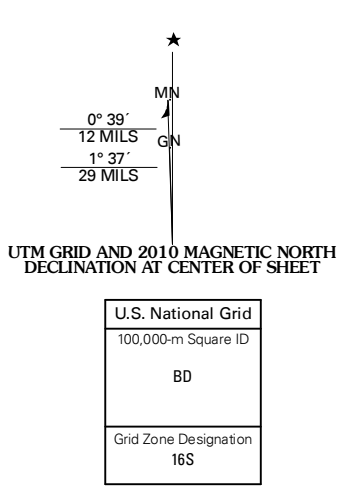




Produced by the United States Geological Survey  
North American Datum of 1983 (NAD83)  
World Geodetic System of 1984 (WGS84). Projection and  
1 000-meter grid. Universal Transverse Mercator, Zone 16S  
10 000-foot ticks: Mississippi Coordinate System of 1983  
(west zone) and Tennessee Coordinate System of 1983

Imagery.....NAP, August 2007 - June 2008  
Roads.....US Census Bureau TIGER data  
with limited USGS updates, 2004 - 2008  
Names.....GNIS, 2008  
Hydrography.....National Hydrography Dataset, 2007  
Contours.....National Elevation Dataset, 2001



This map was produced to conform with version 0.5.10 of the  
draft USGS Standards for 7.5-Minute Quadrangle Maps.  
A metadata file associated with this product is also draft version 0.5.10