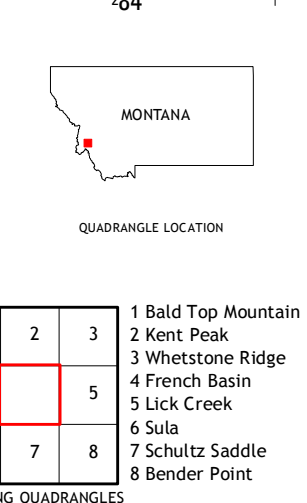
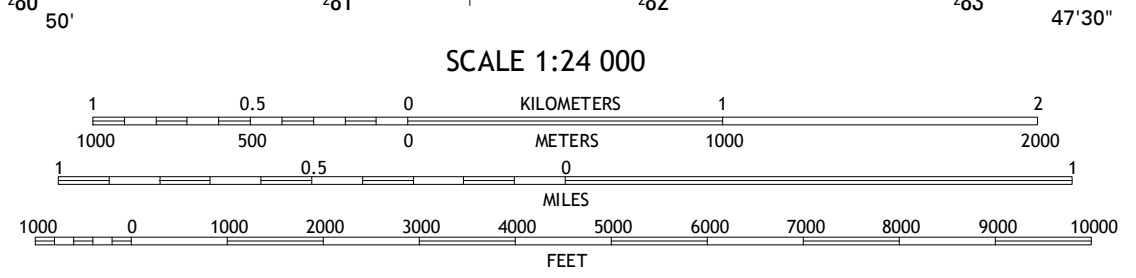
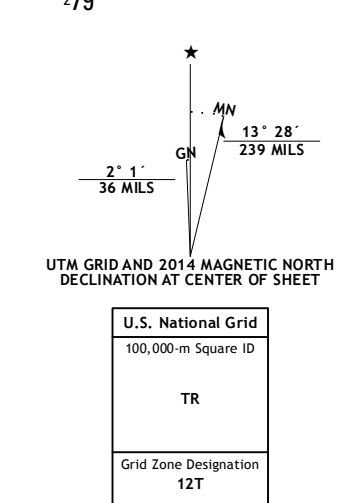


**Produced by the United States Geological Survey**  
North American Datum of 1983 (NAD83)  
World Geodetic System of 1984 (WGS84). Projection and 1 000-meter grid: Universal Transverse Mercator, Zone 12T  
10 000-foot ticks: Montana Coordinate System of 1983

This map is not a legal document. Boundaries may be generalized for this map scale. Private lands within government reservations may not be shown. Obtain permission before entering private lands.

Imagery.....NAIP, September 2011  
Roads.....HERE, 02013  
Roads within US Forest Service Lands.....FSTopo Data with limited Forest Service updates, 2013  
Names.....GNIS, 2013  
Hydrography.....National Hydrography Dataset, 2011  
Contours.....National Elevation Dataset, 2004  
Boundaries.....Multiple sources; see metadata file 1972 - 2013  
Public Land Survey System.....BLM, 2011



**ROAD CLASSIFICATION**

Expressway	Local Connector	
Secondary Hwy	Local Road	
Ramp	4WD	
Interstate Route	US Route	State Route
FS Primary Route	FS Passenger Route	FS High Clearance Route

Check with local Forest Service unit for current travel conditions and restrictions.

**JENNINGS CAMP CREEK, MT**  
2014

