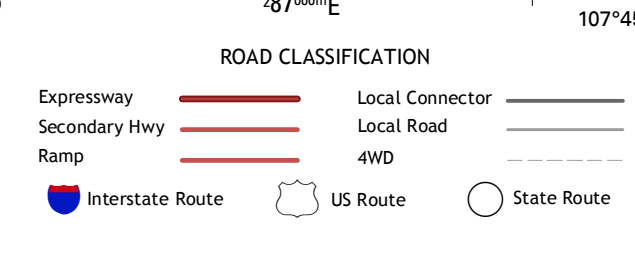
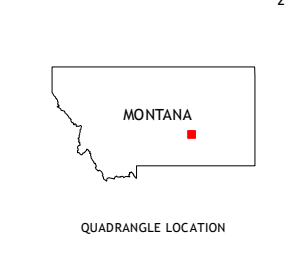
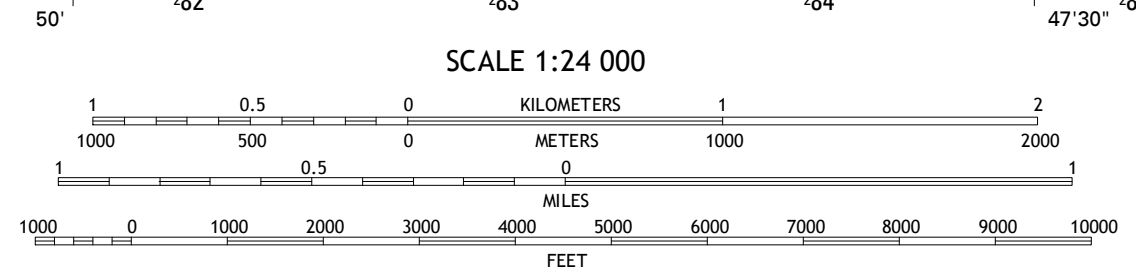
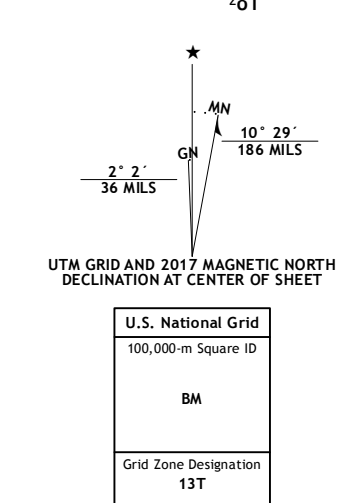


Produced by the United States Geological Survey
North American Datum of 1983 (NAD83)
World Geodetic System of 1984 (WGS84). Projection and
1 000-meter grid: Universal Transverse Mercator, Zone 13T
10 000-foot ticks: Montana Coordinate System of 1983

This map is not a legal document. Boundaries may be
generalized for this map scale. Private lands within government
reservations may not be shown. Obtain permission before
entering private lands.

Imagery.....N.A.I.P., November 2015
Roads.....U.S. Census Bureau, 2015 - 2016
Names.....G.N.S., 2016
Hydrography.....National Hydrography Dataset, 2015
Contours.....National Elevation Dataset, 2006
Boundaries.....Multiple sources; see metadata file 1972 - 2016
Public Land Survey System.....BLM, 2016
Wetlands.....FWS National Wetlands Inventory 1977 - 2014



ADJOINING QUADRANGLES

1	2	3
4	5	6
7	8	9

1 Chandler Spring
2 Weed Creek West
3 Weed Creek East
4 Pine View
5 Mexican Buttes
6 Bull Mountain NW
7 Mud Butte
8 Coal Bank Creek

MAILBOX HILL, MT
2017

