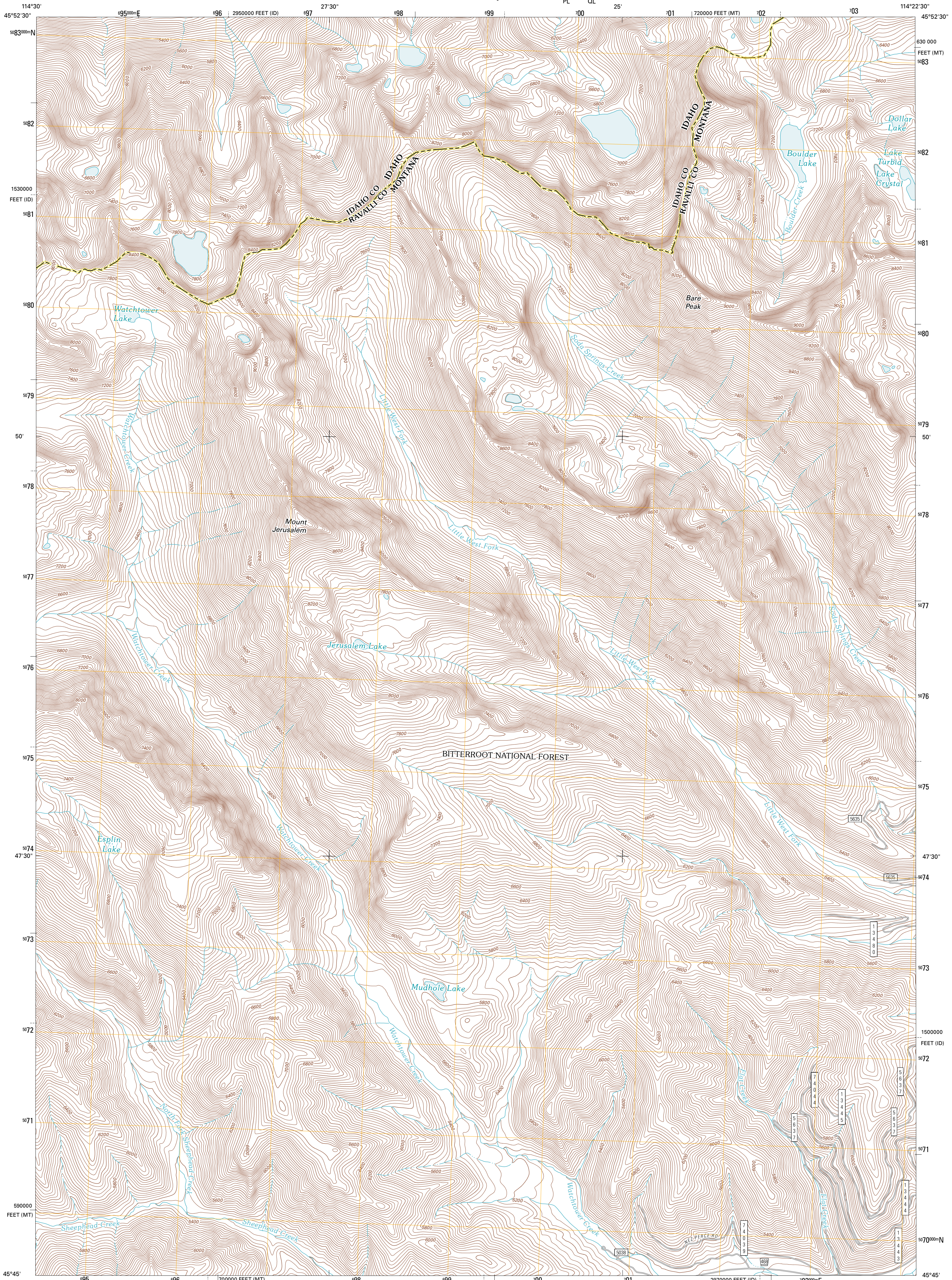




U.S. DEPARTMENT OF THE INTERIOR  
U. S. GEOLOGICAL SURVEY

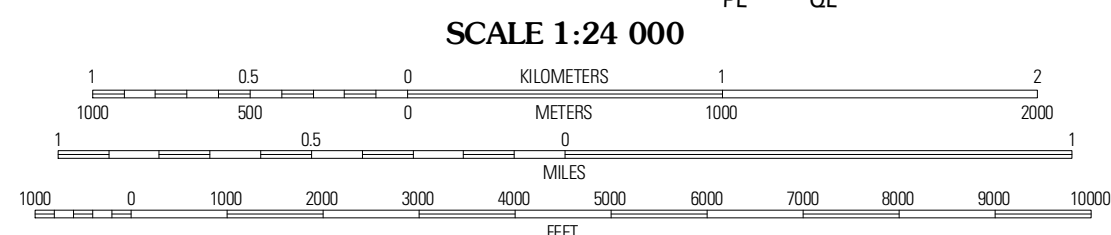
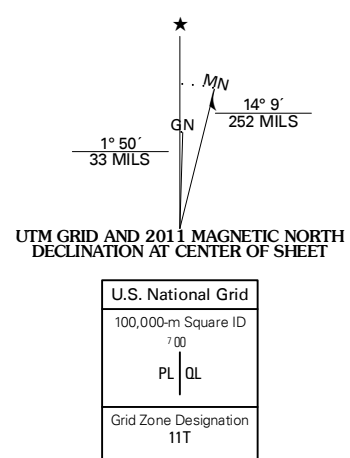


MOUNT JERUSALEM QUADRANGLE  
MONTANA-IDAHO  
7.5-MINUTE SERIES

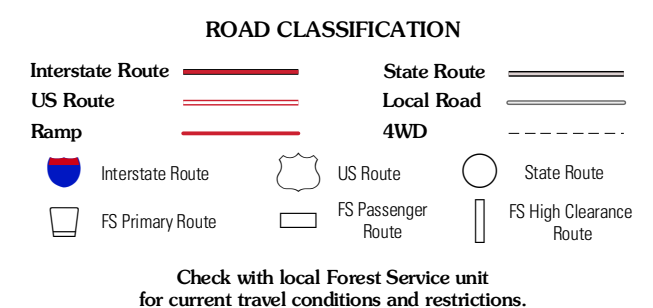
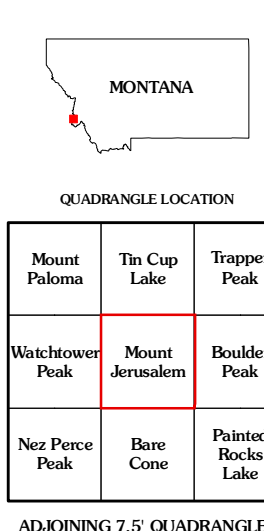


Produced by the United States Geological Survey  
North American Datum of 1983 (NAD83)  
World Geodetic System of 1984 (WGS84). Projection and  
1 000-meter grid. Universal Transverse Mercator, Zone 11T  
10 000-foot ticks: Montana Coordinate System of 1983,  
Idaho Coordinate System of 1983 (west zone)

Imagery.....N.A.P., July 2009  
Roads.....6/2006-2010 Tele Atlas  
Roads within US Forest Service Lands.....FSTopo Data  
with limited Forest Service updates, 2009  
Names.....GNIS, 2010  
Hydrography.....National Hydrography Dataset, 2009  
Contours.....National Elevation Dataset, 2003  
Boundaries.....Census, IBWC, IBC, USGS, 1972 - 2010



CONTOUR INTERVAL 40 FEET  
NORTH AMERICAN VERTICAL DATUM OF 1988  
This map was produced to conform with version 0.5.10  
of the USGS US Topo Product Standard.  
A metadata file associated with this product is draft version 0.5.16



MOUNT JERUSALEM, MT-ID  
2011