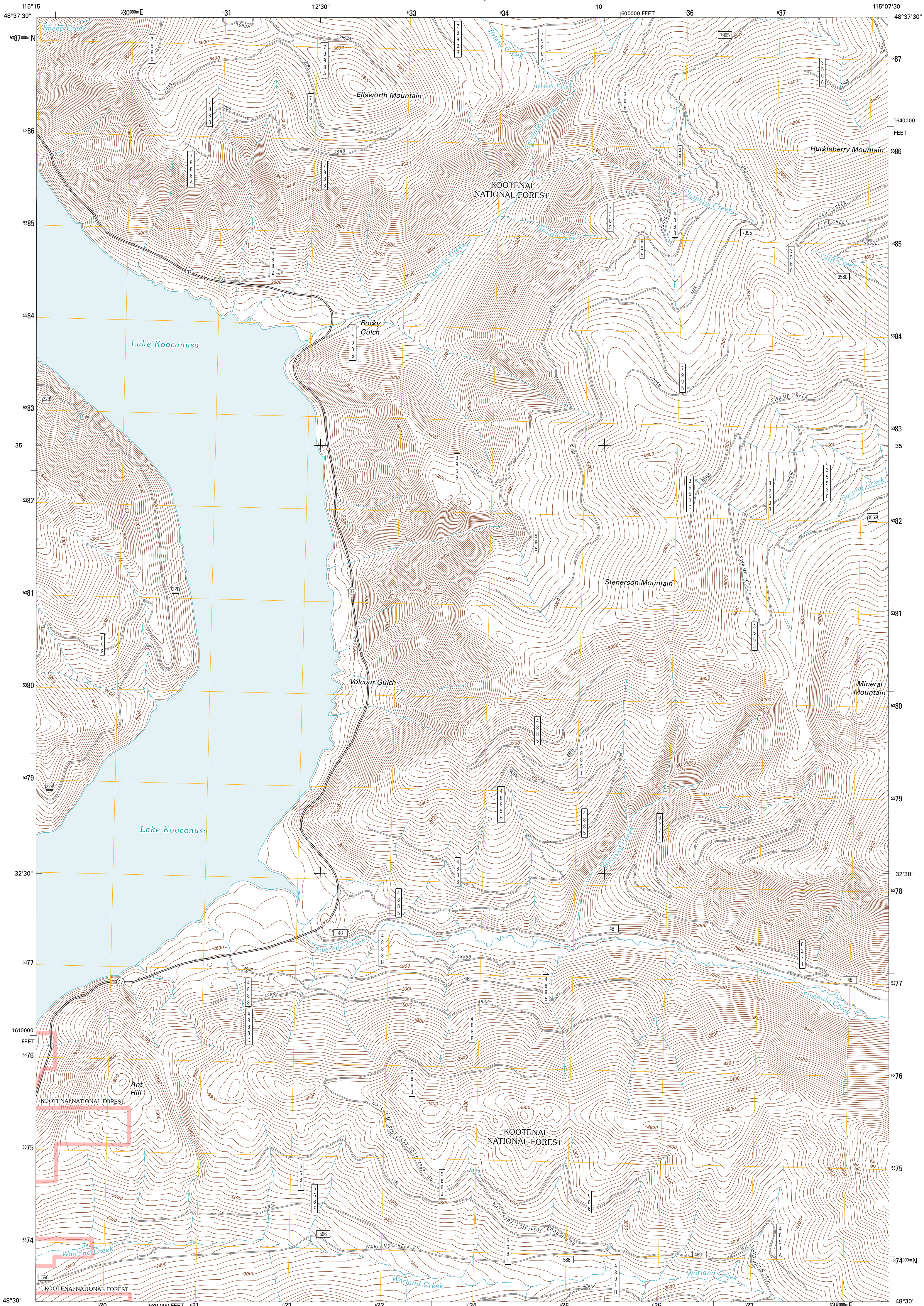




U.S. DEPARTMENT OF THE INTERIOR  
U. S. GEOLOGICAL SURVEY

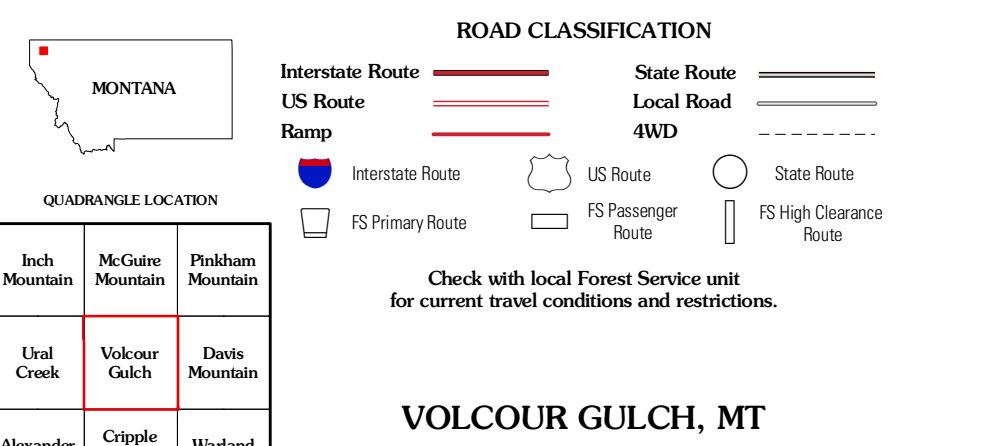
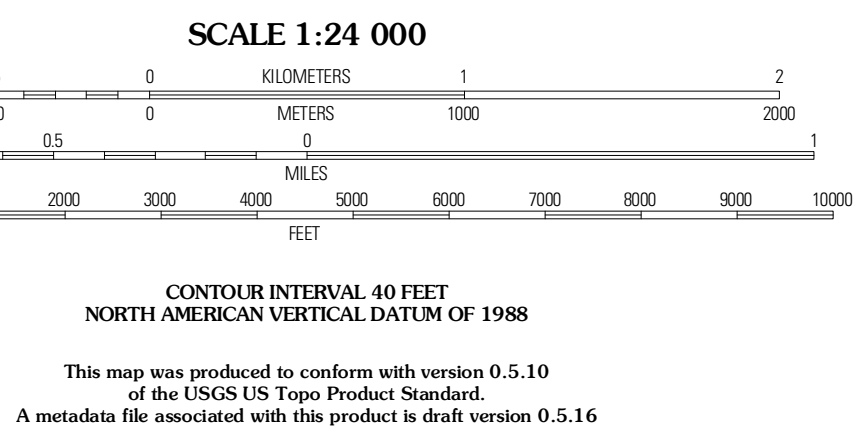
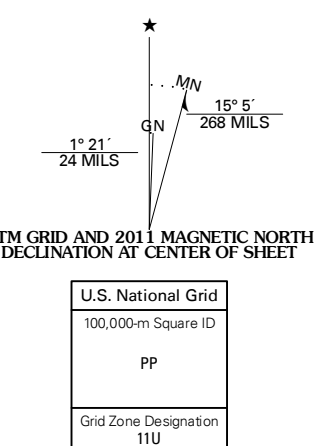


VOLCOUR GULCH QUADRANGLE  
MONTANA-LINCOLN CO.  
7.5-MINUTE SERIES



Produced by the United States Geological Survey  
North American Datum of 1983 (NAD83)  
©2006-2010 Tele Atlas  
World Geodetic System of 1984 (WGS84). Projection and  
1 000-meter grid: Universal Transverse Mercator, Zone 11U  
10 000-foot ticks: Montana Coordinate System of 1983

Imagery: NAIP, July 2009  
Roads: 2006-2010 Tele Atlas  
Roads within US Forest Service Lands: FSTopo Data  
with limited Forest Service updates, 2009  
Names: GNIS, 2010  
Hydrography: National Hydrography Dataset, 2009  
Contours: National Elevation Dataset, 2006  
Boundaries: Census, IBWC, IBC, USGS, 1972 - 2010



VOLCOUR GULCH, MT  
2011