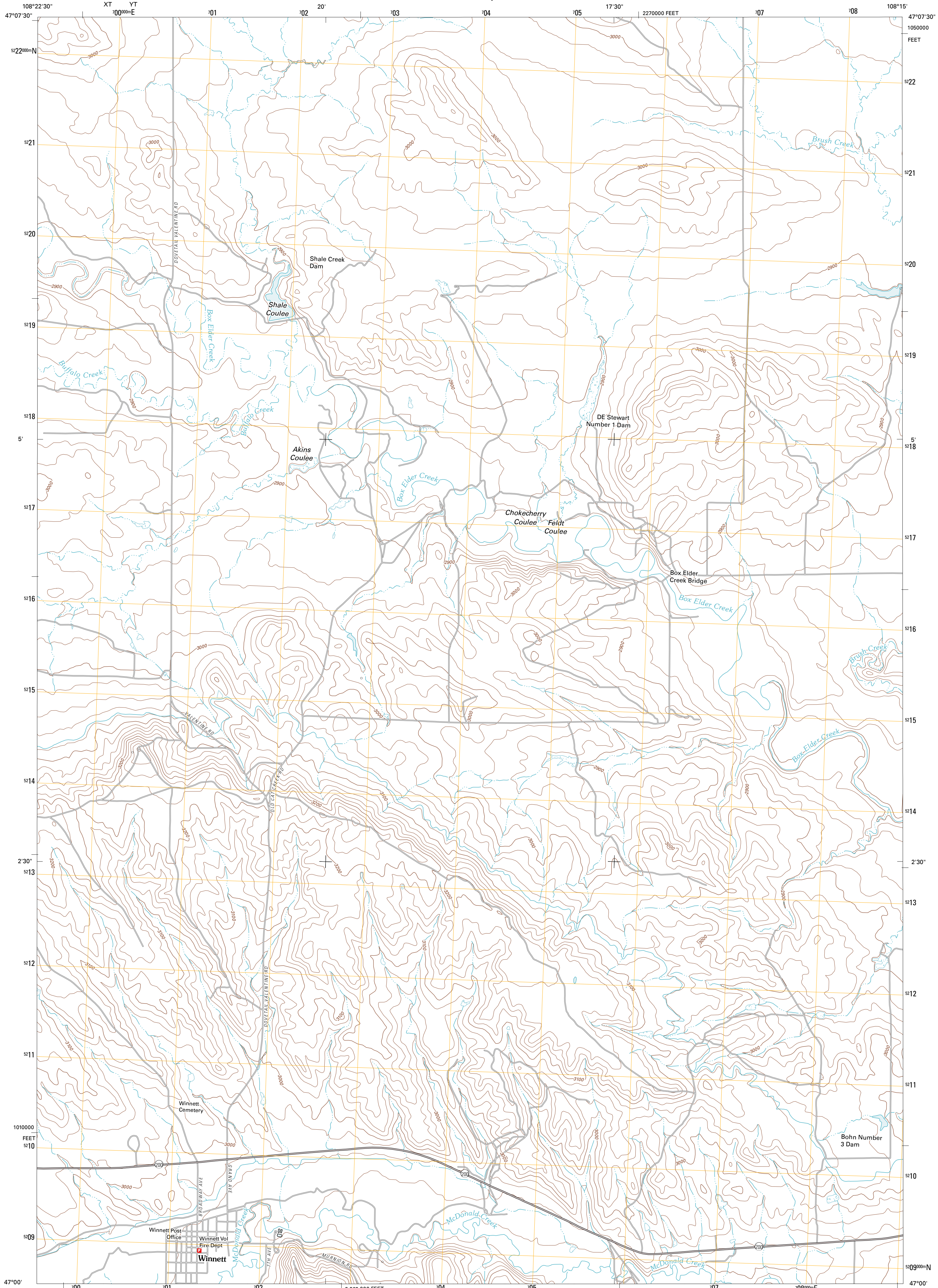




U.S. DEPARTMENT OF THE INTERIOR  
U. S. GEOLOGICAL SURVEY

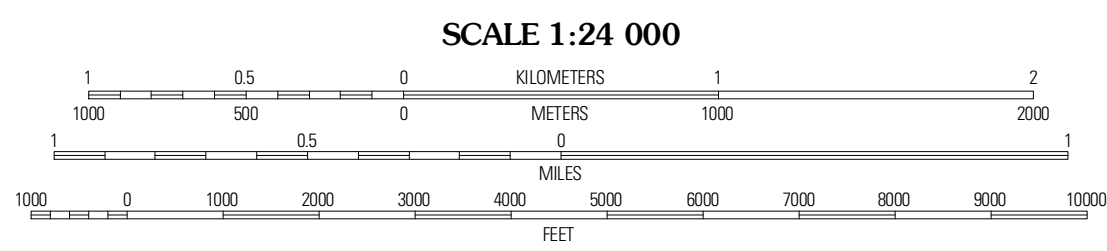
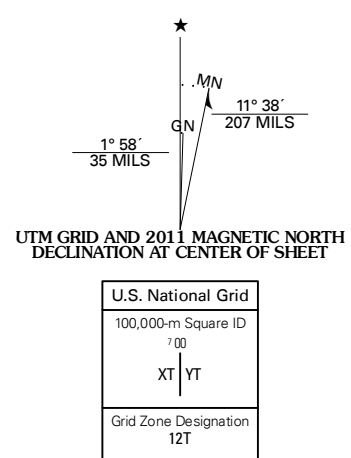


WINNETT NORTH QUADRANGLE  
MONTANA-PETROLEUM CO.  
7.5-MINUTE SERIES

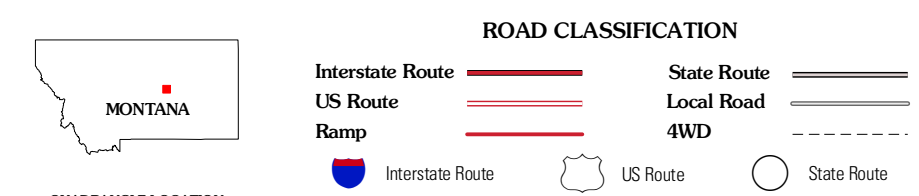


Produced by the United States Geological Survey  
North American Datum of 1983 (NAD83)  
World Geodetic System of 1984 (WGS84). Projection and  
1 000-meter grid: Universal Transverse Mercator, Zone 12T  
10 000-foot ticks: Montana Coordinate System of 1983

Imagery.....NAP, June 2009  
Roads.....©2006-2010 Tele Atlas  
Names.....GNIS, 2010  
Hydrography.....National Hydrography Dataset, 2009  
Contours.....National Elevation Dataset, 2002  
Boundaries.....Census, IBWC, IBC, USGS, 1972 - 2010

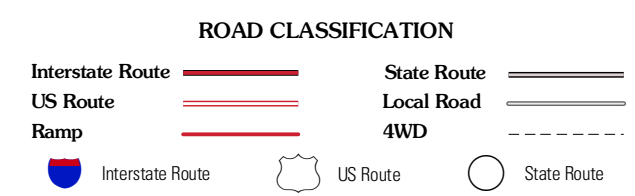


CONTOUR INTERVAL 20 FEET  
NORTH AMERICAN VERTICAL DATUM OF 1988  
This map was produced to conform with version 0.5.10  
of the USGS US Topo Product Standard.  
A metadata file associated with this product is draft version 0.5.16



QUADRANGLE LOCATION

Dry Blood Creek West	Dry Blood Creek East	Cat Creek NW
Little Bear Lake	Winnett North	Ingals Dam
Yellow Water Reservoir	Winnett South	Petrella Lake



WINNETT NORTH, MT  
2011