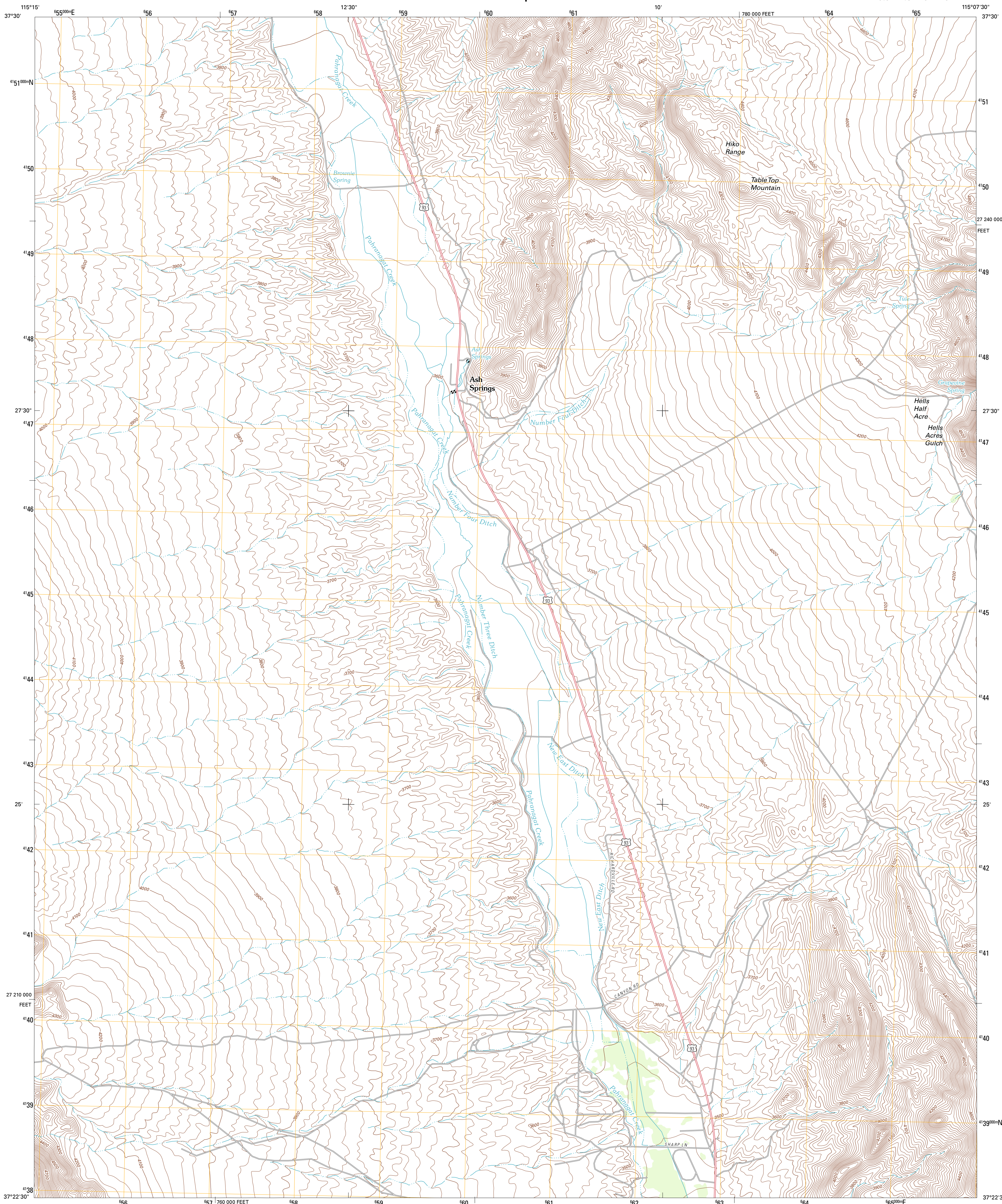




U.S. DEPARTMENT OF THE INTERIOR
U. S. GEOLOGICAL SURVEY

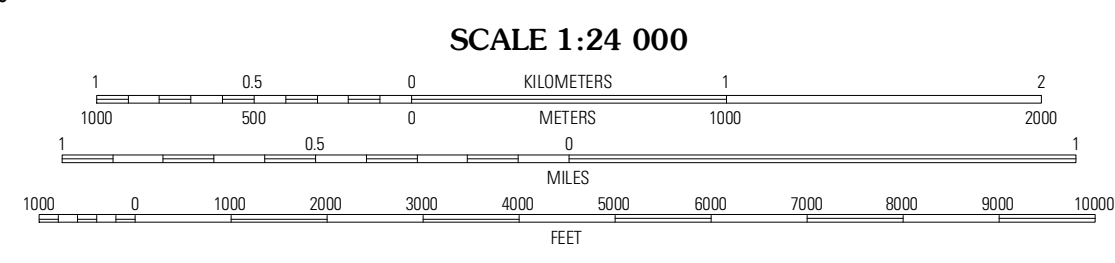
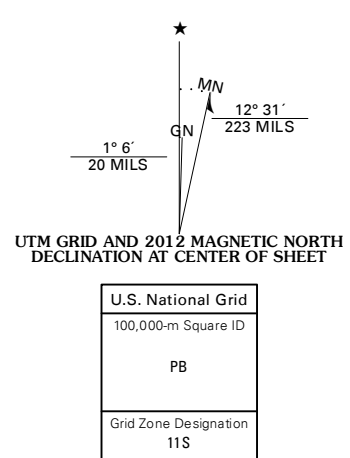


ASH SPRINGS QUADRANGLE
NEVADA-LINCOLN CO.
7.5-MINUTE SERIES



Produced by the United States Geological Survey
North American Datum of 1983 (NAD83)
World Geodetic System of 1984 (WGS84). Projection and
1 000-meter grid: Universal Transverse Mercator, Zone 11S
10 000-foot ticks: Nevada Coordinate System of 1983 (east zone)

Imagery.....N.A.I.P., July 2010
Roads.....©2006-2011 TomTom
Names.....GNIS, 2011
Hydrography.....National Hydrography Dataset, 2010
Contours.....National Elevation Dataset, 2005
Boundaries.....Census, IBWC, IBC, USGS, 1972 - 2010



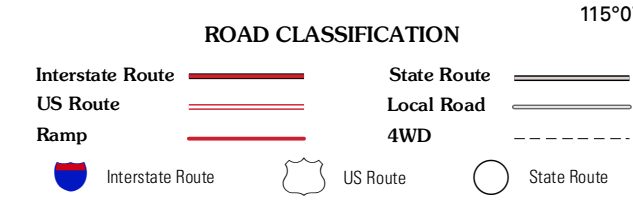
CONTOUR INTERVAL 20 FEET
NORTH AMERICAN VERTICAL DATUM OF 1988

This map was produced to conform with the National Geospatial Program US Topo Product Standard, 2011. A metadata file associated with this product is draft version 0.6.1



QUADRANGLE LOCATION

Mount Irish SE	Hiko	Hiko SE
Hancock Summit	Ash Springs	Alamo NE
Badger Spring	Alamo	Alamo SE



ASH SPRINGS, NV
2012

ADJOINING 7.5 QUADRANGLES