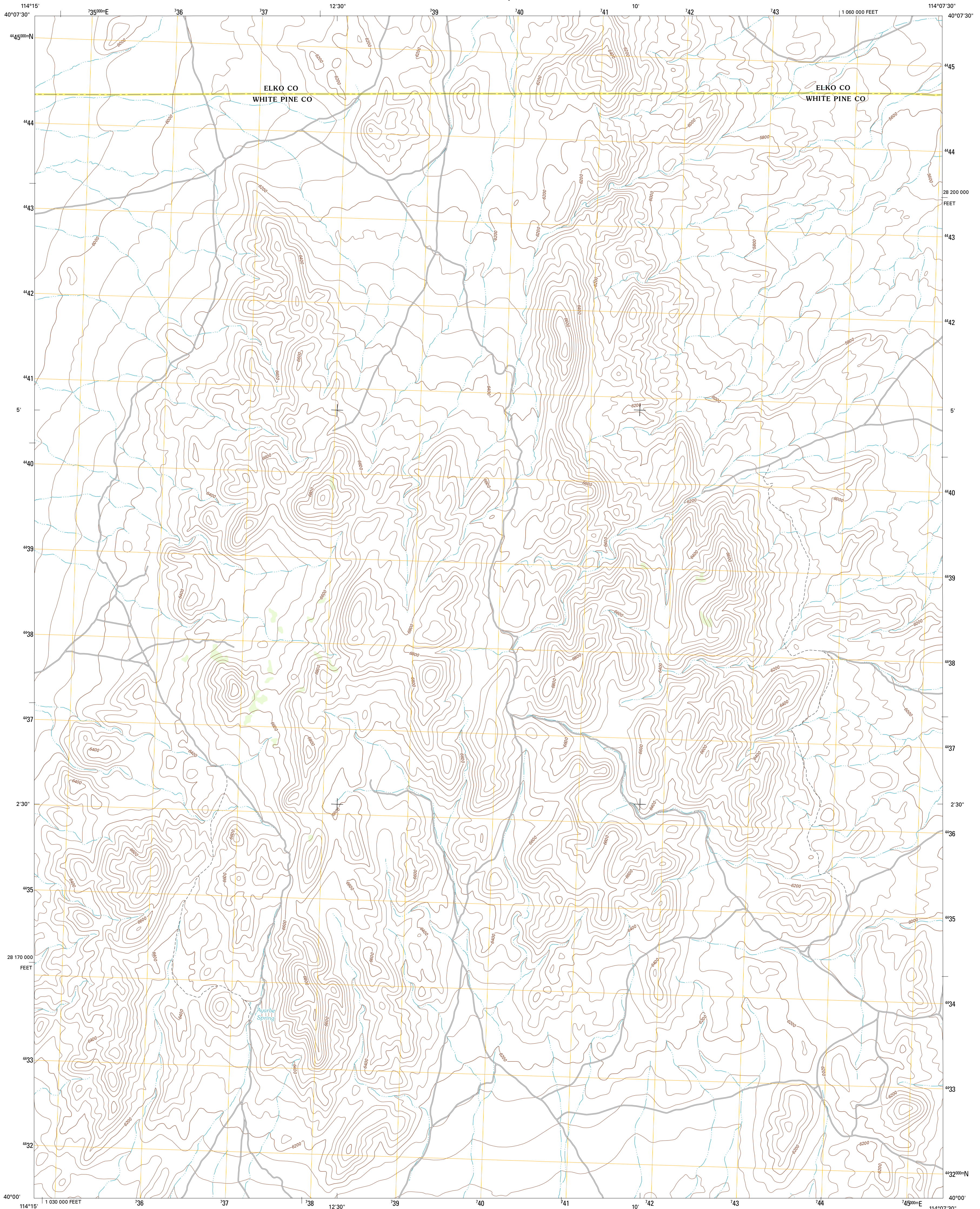




U.S. DEPARTMENT OF THE INTERIOR  
U. S. GEOLOGICAL SURVEY

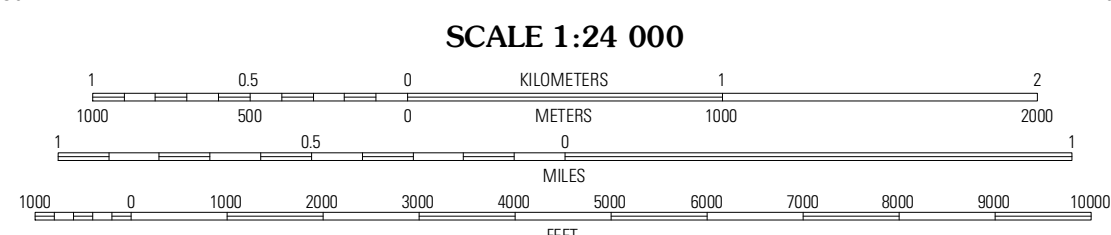
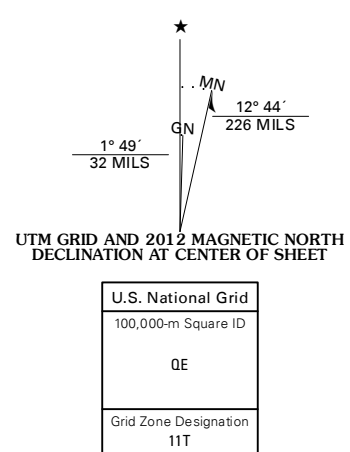


AYARBE SPRING QUADRANGLE  
NEVADA  
7.5-MINUTE SERIES

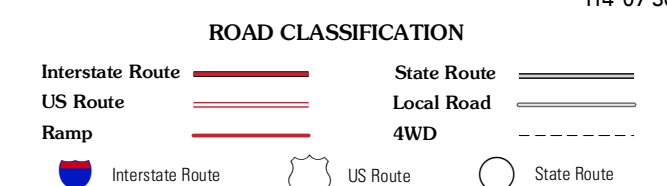


Produced by the United States Geological Survey  
North American Datum of 1983 (NAD83)  
World Geodetic System of 1984 (WGS84). Projection and  
1 000-meter grid: Universal Transverse Mercator, Zone 11T  
10 000-foot ticks: Nevada Coordinate System of 1983 (east zone)

Imagery.....NAP, June 2010 - July 2010  
Roads.....©2006-2011, TomTom  
Names.....GNS, 2011  
Hydrography.....National Hydrography Dataset, 2010  
Contours.....National Elevation Dataset, 2004  
Boundaries.....Census, IBWC, IBC, USGS, 1972 - 2010



CONTOUR INTERVAL 40 FEET  
NORTH AMERICAN VERTICAL DATUM OF 1988  
This map was produced to conform with the  
National Geospatial Program US Topo Product Standard, 2011.  
A metadata file associated with this product is draft version 0.6.1



QUADRANGLE LOCATION

Kinsky Mountains	Ferber Peak NW	Ferber Peak
Chin Creek Reservoir	Ayarbe Spring	Ferber Peak SE
Sunset Reservoir	Spring Creek Flat NW	Georgetta Ranch

AYARBE SPRING, NV  
2012

ADJOINING 7.5' QUADRANGLES