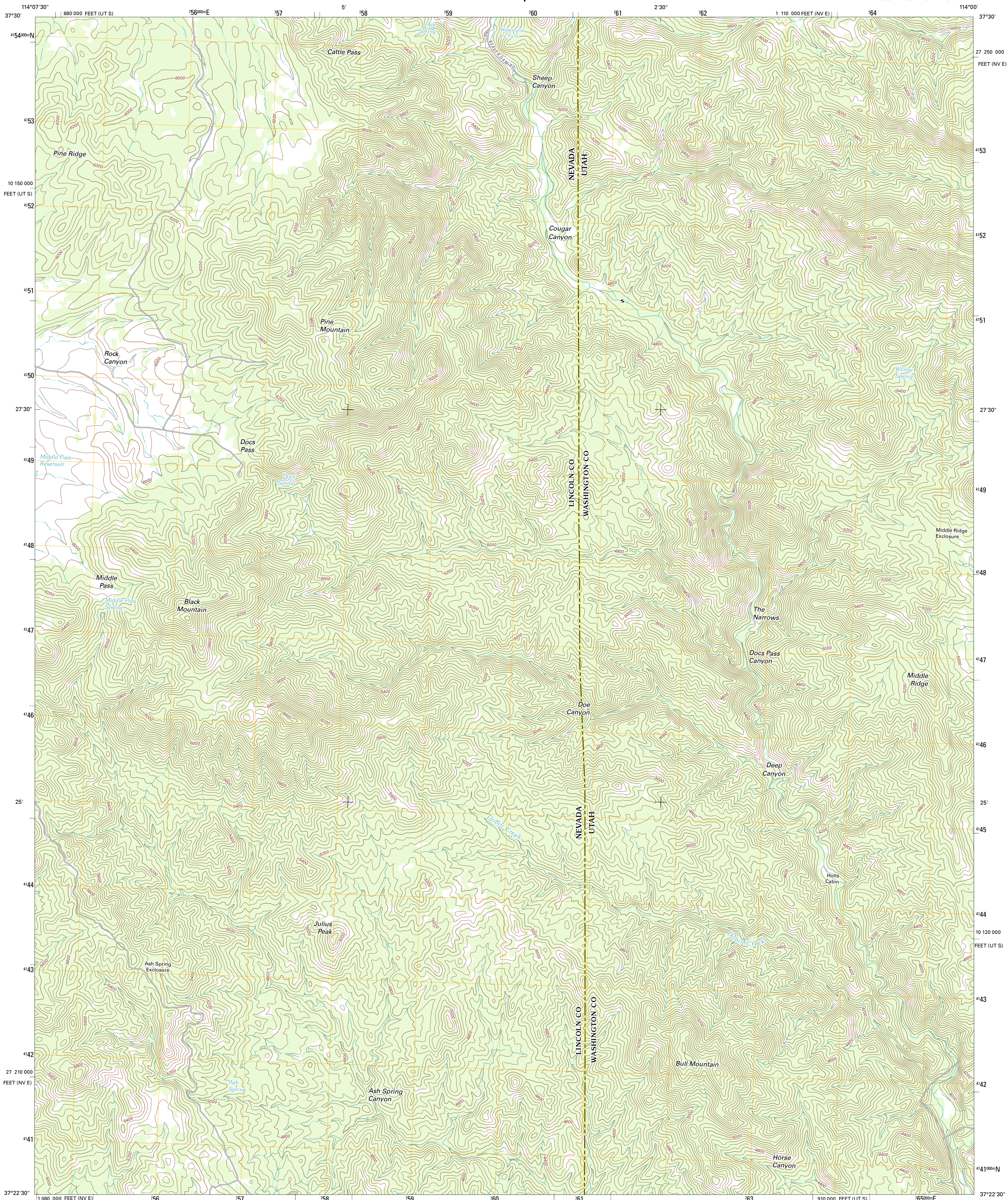




U.S. DEPARTMENT OF THE INTERIOR
U. S. GEOLOGICAL SURVEY

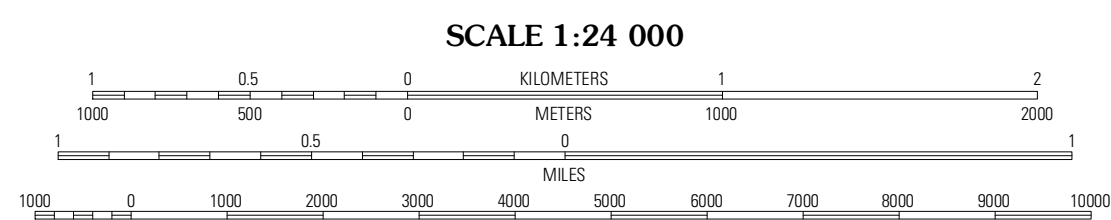
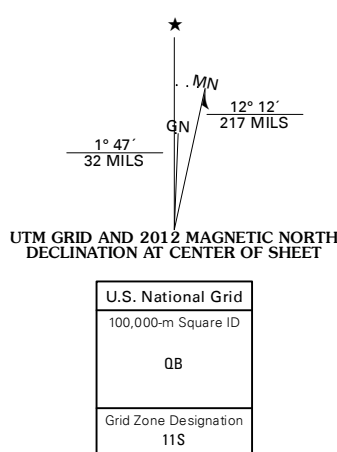


DOCS PASS QUADRANGLE
NEVADA-UTAH
7.5-MINUTE SERIES



Produced by the United States Geological Survey
North American Datum of 1983 (NAD83)
World Geodetic System of 1984 (WGS84). Projection and
1 000-meter grid: Universal Transverse Mercator, Zone 11S
10 000-foot ticks: Nevada Coordinate System of 1983 (east
zone), Utah Coordinate System of 1983 (south zone)

Imagery.....NAIP, July 2009 - May 2010
Roads.....©2006-2011 TomTom
Names.....GNS, 2011
Hydrography.....National Hydrography Dataset, 2009
Contours.....National Elevation Dataset, 2003
Boundaries.....Census, IBWC, IBC, USGS, 1972 - 2010

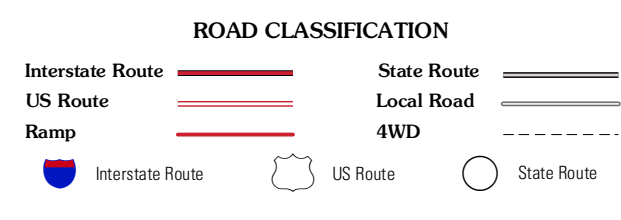


CONTOUR INTERVAL 40 FEET
NORTH AMERICAN VERTICAL DATUM OF 1988

This map was produced to conform with the
National Geospatial Program US Topo Product Standard, 2011.
A metadata file associated with this product is draft version 0.6.1



Acoma	Pine Park	Water Canyon Peak
Bunker Peak	Docs Pass	Goldstrike
Jacks Mountain	Dodge Spring	Motagua



DOCS PASS, NV-UT
2012

ADJOINING 7.5 QUADRANGLES